



FUSE GEAR CATALOGUE



RYEFIELD ELECTRIC

Ryefield Engineering

Ryefield Engineering Company Limited is the leader in electrical manufacturing goods with over 25 years operating experience. Ryefield has a long standing history of being the market leader for quality, reliability and safety in the electrical manufacturing field.

Specialising in fuse boards, isolators, fuse switches and SPD's, Ryefield provide solutions to wholesalers, SML organisations and individuals. Based in Hertfordshire and London, we guarantee the highest standards of products by working with only top suppliers. We take pride in always creating a product and solution that fits, so our technical team are on hand to work with and advise our customers.

As the leading specialists, we are always evolving our product offering by introducing new innovative products and intelligent solutions to our customers.

What we can offer



A new fuse board range with integral Type 1 & 2 and Type 2 SPDs from DEHN. Our fuse boards have been tested and are BS EN 61439-2 certified. Our retrofit kits are still available for our standard boards.



MCCB Panel boards (400A) - choice of incomers and 125A maximum outgoing. MCCBs 6,8,12,16 or 18 TP ways or 800A. Panel boards - choice of incomers but can accept outgoing. MCCBs up to 250A in various combinations. Available as surge ready using DEHN SPD units and can be fitted with incoming and outgoing KWH meters (display or MID approved).



B Type distribution boards - 125A or 250A in 4, 6, 8, 12, 16, 18 or 24 TP ways. A type boards to compliment the B range are also available. The boards accept our standard 15kA MCBs SP or TP, 10kA RCBOs and are now offered surge ready using DEHN SPD units.



Floor standing cubicle switchboards - available in form 4 type 2, or form 4 type 6, with a choice of incomers starting at 400A and ending with 3000A, using fuse switches or MCCBs.



Consumer units - compliant with the current edition of the wiring regulations, with or without SPDs, and accept Ryefield's single pole AFDDs.

For basic switchboards (incomer several out-goers and limited metering) using CUBIC panels, delivery on this product can be as short as four to five weeks. Bespoke switchboards are also available.



Busbar chambers - 200A, 400A 630A and 800A variants.



Automatic Transfer Switches either basic or for Life Safety applications with the facility to have both single or dual line bypass added along with MIMIC panels for remote visual display of the ATS status. These units offer either the ABB compact or the ABB TruOne ATS modules and are fully compliant to BS EN 8519:2020.



RYEFIELD ELECTRIC

Contents

Description	Page Number
• RYEBIS Wall Mounted Metal Isolators and Auxiliary Contacts	4
• RYEBIS Optional Shrouds, Cable Boxes	5
• RYEIS Wall Mounted Metal Isolators 63A to 800A	5
• RYEIS Wall Mounted Metal Isolators, Auxiliary Contacts and optional Shrouds	6
• RYEIS Cable Boxes	7
• RYESCO Wall Mounted Metal Changeover Switches	7
• RYESCO Wall Mounted Metal Changeover Switches, Auxiliary Contacts and Optional Shrouds	8
• RYESCO Cable Boxes	9
• RYEFS Wall Mounted Metal Fuse Switches	9
• RYEFS Wall Mounted Metal Fuse Switches, Auxiliary Contacts, Optional Shrouds and Cable Boxes	10
• RYEBIS Technical Data	11
• RYEIS Technical Data	12
• RYESCO Technical Data 16A to 125A	13
• RYESCO Technical Data 160A to 800A	14
• RYEFS Technical Data 32A to 160A	15
• RYEFS Technical Data 200A to 400A	16
• RYEFS Technical Data 630A to 800A	17
• Dimensional drawings of chassis Isolator Switch RYEBIS 20A to 125A	18
• Dimensional drawings of chassis Isolator Switch RYEIS 160A to 800A	18 - 20
• Dimensional drawings of chassis Changeover Switch RYESCO 16A to 800A	20 - 22
• Dimensional drawings of chassis Fuse Switch RYEFS 32A to 800A	23 - 27
• Dimensional drawings of Ryefield's Fuse Gear range. Cable Boxes for Fuse Gear	28 - 32
• Product Flow Chart	33
• Notes	34 - 35

Wall Mounted Metal Isolators

RYEBIS Wall mounted IP65 metal clad Isolators 20A to 125A four pole



Specification

- Powder Coated Epoxy Resin Finish RAL 7035
- Designed in the UK to BS EN 61439-3
- Manufactured in the UK to BS EN 61439
- Degree of protection IP65 to BS EN 60529 internal use only
- Mechanical Impact Protection IK10
- Voltage rating 400/415v AC
- Blank gland plates for ease of installation
- Removable hinged door with lock
- Adequate cabling space
- Incoming mains supply top or bottom
- Internally rated IP20 on incoming terminals up to 100A
- Pad-lockable pistol grip handle

Features & Benefits

Safety handle - When padlocked in the 'Off' position, the enclosure door cannot be opened. Capable of accepting up to three padlocks in the 'Off' position. ('On' position on request).

Door with Interlocked handle - Can be overridden to enable emergency opening or for testing purposes. (Must only be carried out by a fully qualified person).

Blank Gland Plates - Top and bottom.

Earth Terminals - Earth terminals are fitted to enclosure.

RYEBIS Rotary Isolators

Rating	Format	Product Code	Cable Size	Torque (Nm)	Enclosure size (mm)	Weight (kg)
20A	4 Pole	RYEBIS0204T*	0.75..10mm**	0.8	300 x 200 x 150	5
32A	4 Pole	RYEBIS0324T*	0.75..10mm**	0.8	300 x 200 x 150	5
63A	4 Pole	RYEBIS0634T*	1..35mm**	2	300 x 200 x 150	5
80A	4 Pole	RYEBIS0804T*	1..35mm**	2	300 x 200 x 150	5
100A	4 Pole	RYEBIS1004T*	10..70mm**	6	300 x 200 x 150	5
125A	4 Pole	RYEBIS1254T*	10..70mm**	6	300 x 200 x 150	5

* Terminal clamps

** Maximum cable sizes

RYEBIS Auxiliary Contacts



Rating	Product Code	Normally Open	Normally Closed
20A	RYEBIS0204T	OA1G10	OA1G01
32A	RYEBIS0324T	OA1G10	OA1G01
63A	RYEBIS0634T	OA1G10	OA1G01
80A	RYEBIS0804T	OA1G10	OA1G01
100A	RYEBIS1004T	OA1G10	OA1G01
125A	RYEBIS1254T	OA1G10	OA1G01

RYEBIS Optional Shrouds

Rating	Product Code	Shrouds	Quantity
20A	RYEBIS0204T	OTS40T3 & OTS40T1	2 & 2
32A	RYEBIS0324T	OTS40T3 & OTS40T1	2 & 2
63A	RYEBIS0634T	OTS63T3 & OTS63T1	2 & 2
80A	RYEBIS0804T	OTS63T3 & OTS63T1	2 & 2
100A	RYEBIS1004T	OTS125T3 & OTS125T1	2 & 2
125A	RYEBIS1254T	OTS125T3 & OTS125T1	2 & 2



Cable Boxes RYEBIS

Product Code	Height mm	Width mm	Depth mm
RYECAB152015	150	200	150

RYEIS Wall mounted IP65 metal clad Isolators 63A to 800A four pole

Specification

- Powder Coated Epoxy Resin Finish RAL 7035
- Designed in the UK to BS EN 61439
- Manufactured in the UK to BS EN 61439
- Degree of protection IP65 to BS EN 60529 internal use only
- Mechanical Impact Protection IK10
- Voltage rating 400/415v AC
- Blank gland plates for ease of installation
- Removable hinged door with lock
- Adequate cabling space
- Incoming mains supply top or bottom
- Pad-lockable pistol grip handle.



Features & Benefits

Safety handle - When padlocked in the 'Off' position, the enclosure door cannot be opened. Capable of accepting up to three padlocks in the 'Off' position. ('On' position on request).

Door Interlocked handle - Can be overridden to enable emergency opening or for testing purposes. (Must only be carried out by a fully qualified person).

Blank Gland Plates - Top and bottom

Four pole isolation - On-Load AC23 rated 200A and above

Earth Terminals - Earth terminals are fitted to enclosure

RYEIS Rotary Isolators

Rating	Format	Product Code	Terminal Bolt	Palm Width (mm)	Torque (Nm)	Enclosure size (mm)	Weight (Kg)
63A	4 Pole	RYEIS0634T	M8x25	20	15-22	500 x 300 X200	13.5
80A	4 Pole	RYEIS0804T	M8x25	20	15-22	500 x 300 X200	13.5
100A	4 Pole	RYEIS01004T	M8x25	20	15-22	500 x 300 X200	13.5
125A	4 Pole	RYEIS1254T	M8x25	20	15-22	500 x 300 x 200	13.5
160A	4 Pole	RYEIS1604T	M8x25	20	15-22	500 x 400 x 200	13.5

Rating	Format	Product Code	Terminal Bolt	Palm Width (mm)	Torque (Nm)	Enclosure size (mm)	Weight (Kg)
200A	4 Pole	RYEIS2004T	M8x25	20	15-22	500 x 400 x 200	13.5
250A	4 Pole	RYEIS2504T	M8x25	20	15-22	500 x 400 x 200	13.5
315A	4 Pole	RYEIS3154T	M10x30	25	30-44	600 x 400 x 200	17.5
400A	4 Pole	RYEIS4004T	M10x30	25	30-44	600 x 400 x 200	17.5
630A	4 Pole	RYEIS6304T	M12x40	25	50-75	800 x 600 x 300	37.5
800A	4 Pole	RYEIS8004T	M12x40	25	50-75	1000 x 800 x 300	37.5

RYEIS Auviliary Contacts



Rating	Product Code	Normally Open	Normally Closed
63A	RYEIS0634T	OA1G10	OA3G01
80A	RYEIS0804T	OA1G10	OA3G01
100A	RYEIS1004T	OA1G10	OA3G01
125A	RYEIS1254T	OA1G10	OA3G01
160A	RYEIS1604T	OA1G10	OA3G01
200A	RYEIS2004T	OA1G10	OA3G01
250A	RYEIS2504T	OA1G10	OA3G10
315A	RYEIS3154T	OA1G10	OA3G01
400A	RYEIS4004T	OA1G10	OA3G01
630A	RYEIS6304T	OA1G10	OA3G01
800A	RYEIS8004T	OA1G10	OA3G01

RYEIS Optional Shrouds



Rating	Product Code	Shrouds	Quantity
63A	RYEIS0634T	OTS250G1L/4	2
80A	RYEIS0804T	OTS250G1L/4	2
100A	RYEIS1004T	OTS250G1L/4	2
125A	RYEIS1254T	OTS250G1L/4	2
160A	RYEIS1604T	OTS250G1L/4	2
200A	RYEIS2004T	OTS250G1L/4	2
250A	RYEIS2504T	OTS250G1L/4	2
315A	RYEIS3154T	OTS400G1L/4	2
400A	RYEIS4004T	OTS400G1L/4	2
630A	RYEIS6304T	OTS630G1L/4	2
800A	RYEIS8004T	OTS800G1L/4	2

Product Code	Height mm	Width mm	Depth mm
RYECAB253020	250	300	200
RYECAB254020	250	400	200
RYECAB256030	250	600	300
RYECAB258030	250	800	300

Wall Mounted Metal Change-over Switches

RYESCO Wall mounted IP65 metal clad rotary Manual Change-over Switches 63A to 800A



External View

Specification

- Powder Coated Epoxy Resin Finish RAL 7035
- Designed in the UK to BS EN 61439
- Manufactured in the UK to BS EN 61439
- Degree of protection IP65 to BS EN 60529 internal use only
- Mechanical Impact Protection IK10
- Voltage rating 400/415v AC
- Blank gland plates for ease of installation
- Removable hinged door with lock
- Adequate cabling space
- Incoming mains supply top or bottom
- Internally rated IP20 on incoming terminals up to 100A.
- Pad-lockable pistol grip handle.

Features & Benefits

Safety handle - When padlocked in the 'Off' position, the enclosure door cannot be opened. Capable of accepting up to three padlocks in the 'Off' position. ('On' position on request).

Door Interlocked handle - Can be overridden to enable emergency opening or for testing purposes. (Must only be carried out by a fully qualified person).

Blank Gland Plates - Top and bottom

Four pole isolation - On-Load AC23

Earth Terminals - Earth terminals are fitted to enclosure

Field fitted bridging bars - Allows incoming and outgoing direction to be decided on site



Internal View



Four Pole ABB Changeover Unit

RYESCO Rotary Manual Change-over Switches

Rating	Format	Product Code	Terminal Bolt	Palm Width (mm)*	Torque (Nm)	Enclosure size HxWx D (mm)	Weight (Kg)
63A	4 Pole	RYESCO0634T	N/A	1.5 - 35mm ²	2	400 x 300 x 200	8.5
80A	4 Pole	RYESCO0804T	N/A	1.5 - 35mm ²	2	400 x 300 x 200	8.5
100A	4 Pole	RYESCO1004T	N/A	≤70mm ²	6	500 x 400 x 200	12.5
125A	4 Pole	RYESCO1254T	N/A	≤70mm ²	6	500 x 400 x 200	?
160A	4 Pole	RYESCO1604T	M8x25	20	15 - 22	600 x 400 x 300	19
200A	4 Pole	RYESCO2004T	M8x25	20	15 - 22	600 x 400 x 300	19
250A	4 Pole	RYESCO2504T	M8x25	20	15 - 22	600 x 400 x 300	19
315A	4 Pole	RYESCO3154T	M10x30	25	30 - 44	700 x 500 x 300	29
400A	4 Pole	RYESCO4004T	M10x30	25	30 - 44	700 x 500 x 300	29
630A	4 Pole	RYESCO6304T	M12x40	25	50 - 75	1000 x 800 x 400	65
800A	4 Pole	RYESCO8004T	M12x40	25	50 - 75	1000 x 800 x 400	65

* Maximum Cable Size

RYESCO Auxiliary Contacts

Rating	Product Code	Normally Open	Normally Closed
63A	RYESCO0634T	OA1G10	OA1G01
80A	RYESCO0804T	OA1G10	OA1G01
100A	RYESCO1004T	OA1G10	OA1G01
125A	RYESCO1254T	OA1G10	OA1G01
160A	RYESCO1604T	OA1G10	OA3G01
200A	RYESCO2004T	OA1G10	OA3G01
250A	RYESCO2504T	OA1G10	OA3G10
315A	RYESCO3154T	OA1G10	OA3G10
400A	RYESCO4004T	OA1G10	OA3G01
630A	RYESCO6304T	OA1G10	OA3G01
800A	RYESCO8004T	OA1G10	OA3G01



RYESCO Optional Shrouds

Rating	Product Code	Shrouds	Quantity
63A	RYESCO0634T	OTS63T3 & OTS63T1	4 & 4
80A	RYESCO0804T	OTS63T3 & OTS63T1	4 & 4
100A	RYESCO1004T	OTS125T3 & OTS125T1	4 & 4
125A	RYESCO1254T	OTS125T3 & OTS125T1	4 & 4
160A	RYESCO1604T	OTS250G1L/4	4
200A	RYESCO2004T	OTS250G1L/4	4
250A	RYESCO2504T	OTS250G1L/4	4
315A	RYESCO3154T	OTS250G1L/4	4
400A	RYESCO4004T	OTS400G1L/4	4
630A	RYESCO6304T	OTS800G1L/4	4
800A	RYESCO8004T	OTS800G1L/4	4



Product Code	Height mm	Width mm	Depth mm
RYECAB253020	250	300	200
RYECAB254020	250	400	200
RYECAB254030	250	400	300
RYECAB255030	250	500	300
RYECAB256030	250	600	300
RYECAB258040	250	800	400

Wall Mounted Metal Fuse Switches

RYEFS Wall mounted IP65 metal clad Fuse Switches 32A to 800A four pole



Specification

- Powder Coated Epoxy Resin Finish RAL 7035
- Designed in the UK to BS EN 61439
- Manufactured in the UK to BS EN 61439
- Degree of protection IP65 to BS EN 60529 internal use only
- Mechanical Impact Protection IK10
- Voltage rating 400/415v AC
- Blank gland plates for ease of installation
- Removable hinged door with lock
- Adequate cabling space
- Incoming mains supply top or bottom
- Internally rated IP20 on incoming terminals up to 100A
- Pad-lockable pistol grip handle
- All units supplied with fuses as standard

Features & Benefits

Safety handle - When padlocked in the 'Off' position, the enclosure door cannot be opened. Capable of accepting up to three padlocks in the 'Off' position. ('On' position on request).

Door Interlocked handle - Can be overridden to enable emergency opening or for testing purposes. (Must only be carried out by a fully qualified person).

Blank Gland Plates - Top and bottom

All fuse switches - A full set of suitably rated fuses are supplied with each switch

Four pole isolation - On-Load AC23 rated 200A and above

Earth Terminals - Earth terminals are fitted to enclosure



RYEFS Rotary Fuse Switches 32A to 800A Four Pole

Rating	Format	Product Code	Fuse Size	Palm Width mm)**	Torque (Nm)	Enclosure size HxWx D (mm)	Weight (Kg)
32A	4 Pole	RYEFS0324T	A2-A3	2.5.....25	4	400 x 300 x 200	9.5
63A	4 Pole	RYEFS0634T	A2-A3	2.5.....25	4	400 x 300 x 200	9.5
100A	4 Pole	RYEFS1004T	A2-A4	20	15 - 22	400 x 300 x 200	10.5
125A	4 Pole	RYEFS1254T	A2-A4	20	15 - 22	400 x 300 x 200	10.6
160A	4 Pole	RYEFS1604T	A2-A4	20	15 - 22	500 x 400 x 200	13.5
200A	4 Pole	RYEFS2004T	B1-B2	20	15 - 22	600 x 400 x 200	14.5
250A	4 Pole	RYEFS2504T	B1-B3	20	30 - 44	600 x 400 x 200	14.5
315A	4 Pole	RYEFS3154T	B1-B4	25	30 - 44	700 x 500 x 300	30.5
400A	4 Pole	RYESF4004T	B1-B4	25	30 - 44	700 x 500 x 300	30.5
630A	4 Pole	RYEFS6304T	C1-C3	39	50 - 75	1000 x 600 x 300	52
800A	4 Pole	RYEFS8004T	C1-C3	39	50 - 75	1000 x 600 x 300	52

** Terminal clamps, Maximum cable sizes

RYEFS Auxiliary Contacts



Rating	Product Code	Normally Open	Normally Closed
32A	RYEFS0324T	OA1G10	OA3G01
63A	RYEFS0634T	OA1G10	OA3G01
100A	RYEFS1004T	OA1G10	OA3G01
125A	RYEFS1254T	OA1G10	OA3G01
160A	RYEFS1604T	OA1G10	OA3G01
200A	RYEFS2004T	OA1G10	OA3G01
250A	RYEFS2504T	OA1G10	OA3G01
315A	RYEFS3154T	OA1G10	OA3G01
400A	RYEFS4004T	OA1G10	OA3G01
630A	RYEFS6304T	OA1G10	OA3G01
800A	RYEFS8004T	OA1G10	OA3G01

RYEFS Optional Shrouds



Rating	Product Code	Shrouds	Quantity
32A	RYEFS0324T	N/A	N/A
63A	RYEFS0634T	N/A	N/A
100A	RYEFS1004T	OSS160GG1L/4	2
125A	RYEFS1254T	OSS160GG1L/4	2
160A	RYEFS1604T	OSS160GG1L/4	2
200A	RYEFS2004T	OSS200GG1L/4	2
250A	RYEFS2504T	OSS250GG1L/4	2
315A	RYEFS3154T	OSS400GG1L/4	2
400A	RYEFS4004T	OSS400GG1L/4	2
630A	RYEFS6304T	OSS400GG1L/4	2
800A	RYEFS8004T	OSS400GG1L/4	2

Cable Boxes RYEFS

Product Code	Height mm	Width mm	Depth mm
RYECAB253020	250	300	200
RYECAB254020	250	400	200
RYECAB255030	250	500	300
RYECAB256030	250	600	300
RYECAB258030	250	800	300

Technical Data Rotary Isolators

OT16...125, IEC

Technical data according to IEC 60947-3

		OT16F	OT25F	OT40F	OT63F	OT80F	OT100F	OT125F		
Rated insulation voltage and rated operational voltage AC20/DC20	Pollution degree 3	750 V	750 V	750 V	750 V	750 V	750 V	750 V		
Dielectric strength	50 Hz 1 min.	6 kV	6 kV	6 kV	6 kV	6 kV	6 kV	6 kV		
Rated impulse withstand voltage		8 kV	8 kV	8 kV	8 kV	8 kV	8 kV	8 kV		
Rated thermal current and rated operational current AC20/DC20	Ambient 40 °C ²⁾	In open air	25 A	32 A	40 A	63 A	80 A	115 A	125 A	
	Ambient 40 °C ²⁾	In enclosure	25 A	32 A	40 A	63 A	80 A	115 A	125 A	
	Ambient 60 °C	In enclosure	20 A	25 A	32 A	50 A	63 A	80 A	100 A	
...with minimum conductor cross section	Cu	4 mm ²	6 mm ²	10 mm ²	16 mm ²	25 mm ²	35 mm ²	50 mm ²		
Rated operational current, AC-21A	up to 415 V	16 A	25 A	40 A	63 A	80 A	100 A	125 A		
	440...690 V	16 A	25 A	40 A	63 A	80 A	100 A	125 A		
Rated operational current, AC-22A	up to 415 V	16 A	25 A	40 A	63 A	80 A	100 A	125 A		
	440...690 V	16 A	25 A	40 A	63 A	80 A	100 A	125 A		
Rated operational current, AC-23A	up to 415 V	16 A	20 A	23 A	63 A	75 A	80 A	90 A		
	440 V	16 A	20 A	23 A	63 A	65 A	65 A	78 A		
	500 V	16 A	20 A	23 A	45 A	58 A	60 A	70 A		
	690 V	10 A	11 A	12 A	20 A	20 A	40 A	50 A		
Rated operational current / poles in series, DC-21A	24...48 V ¹⁾	16 A/1	25 A/1	32 A/1	63 A/1	80 A/1	100 A/1	125 A/1		
	110 V	16 A/ 2	25 A/ 2	32 A/ 2	63 A/ 2	80 A/ 2	100 A/ 2	125 A/ 2		
	220 V	16 A/ 3	25 A/ 3	32 A/ 3	63 A/4	80 A/4	100 A/4	125 A/4		
	440 V	16 A/4	16 A/4	16 A/4	16 A/4	16 A/4	–	–		
	500 V	16 A/4	16 A/4	16 A/4	16 A/4	16 A/4	–	–		
	750 V	16 A/8	25 A/8	32 A/8	–	–	–	–		
Rated operational current / poles in series, DC-22A	24...48 V ¹⁾	16 A/1	25 A/1	32 A/1	63 A/1	80 A/1	100 A/1	125 A/1		
	110 V	16 A/ 2	25 A/ 2	32 A/ 2	63 A/ 2	80 A/ 2	100 A/ 2	125 A/ 2		
	220 V	16 A/ 3	25 A/ 3	32 A/4	45 A/4	45 A/4	63 A/4	80 A/4		
	440 V	10 A/4	10 A/4	10 A/4	10 A/4	10 A/4	–	–		
	750 V	16 A/8	25 A/8	25 A/8	–	–	–	–		
Rated operational current / poles in series, DC-23A	24...48 V ¹⁾	16 A/1	25 A/1	32 A/1	63 A/1	80 A/1	100 A/1	125 A/1		
	110 V	16 A/ 2	25 A/ 2	32 A/ 2	63 A/ 2	80 A/ 2	100 A/ 2	125 A/ 2		
	220 V	16 A/4	25 A/4	32 A/4	45 A/4	45 A/4	63 A/4	63 A/4		
	440 V	10 A/4	10 A/4	10 A/4	10 A/4	10 A/4	–	–		
	750 V	16 A/8	16 A/8	16 A/8	–	–	–	–		
Rated operational power, AC-23A (These values are given for guidance and may vary acc.to the motor manufacturer)	220...240 V	3 kW	4 kW	5.5 kW	11 kW	22 kW	22 kW	22 kW		
	400...415 V	7.5 kW	9 kW	11 kW	22 kW	37 kW	37 kW	45 kW		
	440...500 V	7.5 kW	9 kW	11 kW	22 kW	37 kW	37 kW	45 kW		
	690 V	7.5 kW	9 kW	11 kW	15 kW	18.5 kW	37 kW	45 kW		
Rated breaking capacity, AC-23A	up to 415 V	128 A	160 A	184 A	360 A	640 A	640 A	720 A		
	440 V	128 A	160 A	184 A	360 A	448 A	520 A	624 A		
	500 V	128 A	160 A	184 A	360 A	464 A	480 A	560 A		
	690 V	80 A	88 A	96 A	160 A	160 A	320 A	400 A		
Rated breaking capacity/ poles in series, DC-23A	24...48 V	64 A/1	100 A/1	128 A/1	180 A/1	252 A/1	400 A/1	500 A/1		
	110 V	64 A/ 2	100 A/ 2	128 A/ 2	180 A/ 2	252 A/ 2	400 A/ 2	500 A/ 2		
	220 V	64 A/ 3	100 A/4	128 A/4	180 A/4	180 A/4	252 A/4	252 A/4		
	440 V	40 A/4	40 A/4	40 A/4	40 A/4	40 A/4	–	–		
	750 V	64 A/8	64 A/8	64 A/8	–	–	–	–		
Rated conditional short-circuit current I _q (r.m.s.) and corresponding max. Allowed cut-off current I _c of fuse. The cut-off current I _c refers to values listed by fuse manufacturers (single phase test acc. To IEC60269)	I _q 50kA, ≤415V Max. OFA_fuse size	I _c gG/aM	6.5 kA 40 A/ 32 A	6.5 kA 40 A/ 32 A	6.5 kA 40 A/ 32 A	13 kA 100A/80A	13 kA 100A/80A	16.5 kA 125A/125A	16.5 kA 125A/125A	
	I _q 100kA, 500V Max. OFA_fuse size	I _c gG/aM	–	–	–	17 kA 100 A/80 A	17 kA 100 A/80 A	–	–	
	I _q 10kA, 690V Max. OFA_fuse size	I _c gG/aM	–	–	–	–	–	8.2 kA 125 A/100 A	8.2 kA 125 A/100 A	
	I _q 50kA, 690V Max. OFA_fuse size	I _c gG/aM	4 kA 25 A/16 A	4 kA 25 A/16 A	4 kA 25 A/16 A	11 kA 80 A/63 A	11 kA 80 A/63 A	10 kA 63 A/63 A	10 kA 63 A/63 A	
	Rated short-time withstand current	r.m.s. -value I _{sw}	690 V, 1 s	0.5 kA	0.5 kA	0.5 kA	1.5 kA	1.5 kA	2.5 kA	2.5 kA
	Rated short circuit making capacity	Peak value I _{cm}	690 V/500 V	0.71 kA	0.71 kA	0.71 kA	2.1 kA	2.1 kA	3.6 kA	3.6 kA
Rated capacitor power (the capacitor ratings are limited by the fuse link.)		400...415 V	6.5 kVAr	10 kVAr	15 kVAr	25 kVAr	30 kVAr	40 kVAr	50 kVAr	
Power loss/pole	At rated operational current		0.3 W	0.6 W	1.6 W	2.8 W	4.5 W	4.0 W	6.3 W	
Mechanical endurance	Divideby two for operation cycles		20 000 Oper.	20 000 Oper.	20 000 Oper.	20 000 Oper.	20 000 Oper.	20 000 Oper.	20 000 Oper.	
Weight without accessories	3-pole		0.11 kg	0.11 kg	0.11 kg	0.27 kg	0.27 kg	0.36 kg	0.36 kg	
	4-pole		0.15 kg	0.15 kg	0.15 kg	0.35 kg	0.35 kg	0.50 kg	0.50 kg	
Cable size	Cu-wire size suitable for terminal clamps		0.75...10mm ²	0.75...10mm ²	0.75...10mm ²	1.5...35mm ²	1.5...35mm ²	10...70mm ²	10...70mm ²	
			18-8 AWG	18-8 AWG	18-8 AWG	14-4 AWG	14-4 AWG	8-00 AWG	8-00 AWG	
Terminal tightening torque	Counter torque required		0.8 Nm	0.8 Nm	0.8 Nm	2 Nm	2 Nm	6 Nm	6 Nm	
Operating torque	3-poleswitch-disconnector		1 Nm	1 Nm	1 Nm	1.2 Nm	1.2 Nm	2 Nm	2 Nm	

¹⁾ Below 48 V, two poles in parallel up to OT80 are recommended particularly in polluted atmosphere.

²⁾ Acc. to IEC60947-1, §6.1.1.

Technical Data Rotary Isolators

OT160...800, IEC

Technical data according to IEC 60947-3

		OT160EV	OT200E	OT250E	OT315E	OT400E	OT630E	OT800E
Rated insulation voltage and rated operational voltage AC-20,DC-20	Pollution degree 3	1 000 V	1 000 V	1 000 V	1 000 V	V1 000	1 000 V	1 000 V
Dielectric strength	50 Hz 1 min.	10 kV	10 kV	10 kV	10 kV	10 kV	10 kV	10 kV
Rated impulse withstand voltage		12 kV	12 kV	12 kV	12 kV	12 kV	12 kV	12 kV
Rated thermal current and rated operational current AC-20,DC-20 in ambient 40 °C ⁴⁾	In open air	200 A	200 A	250 A	315 A	400 A	630 A	800 A
	In enclosure	160 A	200 A	250 A	315 A	400 A	630 A	800 A
...with minimum cable cross section	Cu	70 mm ²	95 mm ²	120 mm ²	185 mm ²	240 mm ²	2x185 mm ²	2x240 mm ²
Rated operational current, AC-21A	≤500 V	200 A	200 A	250 A	315 A	400 A	630 A	800 A
	690 V	160 A	200 A	250 A	315 A	400 A	630 A	800 A
	1000 V	160 A	200 A	250 A	315 A	400 A	630 A	800 A
Rated operational current, AC-22A	≤500 V	200 A	200 A	250 A	315 A	400 A	630 A	800 A
	690 V	160 A	200 A	250 A	315 A	400 A	630 A	800 A
	1000 V	160 A	200 A	250 A	315 A	400 A	630 A	800 A
Rated operational current, AC-23A	≤500 V	160 A	200 A	250 A	315 A	400 A	630 A	800 A
	690 V	160 A	200 A	250 A	315 A	400 A	630 A	800 A
	1000 V	135 A	135 A	135 A	200 A	200 A	400 A	400 A
Rated operational current / poles in series, DC-21A ¹⁾	24...110 V	160 A/ 2	200 A/ 2	250 A/ 2	315 A/1 ²⁾	400 A/1 ²⁾	630 A/1	800 A/1
	220 V	160 A/ 2	200 A/ 2	250 A/ 2	315 A/2 ²⁾	400 A/ 2 ²⁾	630 A/1	800 A/1
	440 V	160 A/ 3	200 A/ 3	250 A/ 3	315 A/ 3	360 A/ 3	630 A/ 2	800 A/ 2
	660 V	160 A/4	200 A/4	230 A/4 ²⁾	315 A/4	360 A/4	630 A/4 ²⁾	650 A/4 ²⁾
Rated operational current / poles in series, DC-21B	800 V	160 A/5	200 A/5	250 A/5	315 A/5	400 A/5	600 A/5	600 A/5
	1000 V	160 A/6	200 A/6	250 A/6	315 A/6	400 A/6	600 A/6	600 A/6
Rated operational power, AC-23 ³⁾	230 V	48 kW	60 kW	75 kW	100 kW	132 kW	200 kW	250 kW
	400 V	80 kW	110 kW	140 kW	160 kW	220 kW	355 kW	450 kW
	415 V	88 kW	110 kW	145 kW	180 kW	230 kW	355 kW	450 kW
	500 V	112 kW	132 kW	170 kW	220 kW	280 kW	400 kW	560 kW
	690 V	144 kW	200 kW	250 kW	315 kW	400 kW	630 kW	800 kW
Rated breaking capacity in category AC-23	≤500 V	1 280 A	1 600 A	2 000 A	2 520 A	3 200 A	5 040 A	6 400 A
	690 V	1 280 A	1 600 A	2 000 A	2 520 A	3 200 A	5 040 A	6 400 A
Rated conditional short-circuit current I _q (r.m.s.) and corresponding max. allowed cut-off current I _c . The cut-off current I _c refers to values listed by fuse manufacturers (single phase test acc. to IEC60269)	I _q 100kA,500V Max. OFA_fuse size	I _c	40.5 kA	40.5 kA	40.5 kA	61.5 kA	61.5 kA	90 kA
		gG/aM	315 A/ 315 A	315 A/ 315 A	315 A/ 315 A	500 A/450 A	500 A/450 A	A 800 A/1 000 A 800 A/1 000 A
	I _q 80kA,690V Max. OFA_fuse size	I _c	40.5 kA	40.5 kA	40.5 kA	59 kA	59 kA	83.5 kA
		gG/aM	355 A/ 315 A	355 A/ 315 A	355 A/ 315 A	500 A/500 A	500 A/500 A	A 800 A/1 000 A 800 A/1 000 A
Rated short-time withstand current	I _q 100kA,690V Max. fuse size	gG/aM	250A/250A	250A/250A	250A/250A	-/400A	-/400A	-/630A
	r.m.s. value I _{cw}	≤1000 V0.15 s	15 kA	15 kA	15 kA	31 kA	31 kA	38 kA
		≤1000 V0.25 s	15 kA	15 kA	15 kA	24 kA	24 kA	36 kA
Rated short-circuit making capacity	Peak value I _{cm}	≤1000 V	30 kA	30 kA	30 kA	65 kA	65 kA	80 kA
	The capacitor ratings are limited by the fuse links	415 V	80 kVAr	100 kVAr	115 kVAr	145 kVAr	180 kVAr	250 kVAr
		500 V	96 kVAr	120 kVAr	135 kVAr	175 kVAr	215 kVAr	300 kVAr
Power loss / pole	With rated current	690 V	128 kVAr	160 kVAr	190 kVAr	250 kVAr	325 kVAr	450 kVAr
	Divide by two for oper. cycles		3.2 W	4 W	6.5 W	6.5 W	10 W	25 W
Mechanical endurance			20 000 Oper.	20 000 Oper.	20 000 Oper.	16 000 Oper.	16 000 Oper.	10 000 Oper.
Weight without accessories	3-pole switch		1.3 kg	1.3 kg	1.3 kg	2.8 kg	2.8 kg	6.1 kg
Terminal bolt size	Metric thread diameter x length		M8x25 mm	M8x25 mm	M8x25 mm	M10x30 mm	M10x30 mm	M12x40 mm
Terminal tightening torque	Counter torque required		15-22 Nm	15-22 Nm	15-22 Nm	30-44 Nm	30-44 Nm	50-75 Nm
Operating torque	3-pole switch disconnecter		7 Nm	7 Nm	7 Nm	16 Nm	16 Nm	27 Nm

¹⁾ Further ratings on request.

²⁾ Category B.

³⁾ These values are given for guidance and may vary according to the motor manufacturer.

⁴⁾ Acc. to IEC60947-1, §6.1.1.

Technical Data Manual Change-over Switches

OT16...125, IEC

Technical data according to IEC 60947-3

Switch size			OT16_	OT25_	OT40_	OT63_	OT80_	OT100_	OT125_	
Data according to IEC 60947-3										
Rated insulation voltage and rated operational voltage AC20/DC20	Pollution degree 3	V	750	750	750	750	750	750	750	
Dielectric strength	50 Hz 1min.	kV	6	6	6	6	6	6	6	
Rated impulse withstand voltage		kV	8	8	8	8	8	8	8	
Rated thermal current and rated operational current AC20/DC20	/ ambient 40°C	In open air	A	25	32	40	63	80	115	125
	/ ambient 40°C	In enclosure	A	25	32	40	63	80	115	125
	/ ambient 60°C	In enclosure	A	20	25	32	50	63	80	100
..with minimum conductor cross section		Cu	mm ²	4	6	10	16	25	35	50
Rated operational current, AC-21A	up to 500 V	A	16	25	40	63	80	100	125	
	690 V	A	16	25	40	63	80	100	125	
Rated operational current, AC-22A	up to 500 V	A	16	25	40	63	80	100	125	
	690 V	A	16	25	40	63	80	100	125	
Rated operational current, AC-23A	up to 415 V	A	16	20	23	63	75	80	90	
	440 V	A	16	20	23	63	65	65	78	
	500 V	A	16	20	23	45	58	60	70	
	690 V	A	10	11	12	20	20	40	50	
Rated operational current / poles in series, DC-21A	up to 48 V ¹⁾	A	16/1	25/1	32/1	63/1	80/1	100/1	125/1	
	110 V	A	16/2	25/2	32/2	63/2	80/2	100/2	125/2	
	220 V	A	16/3	25/3	32/3	63/4	63/4	100/4	100/4	
	500 V	A	16/4	16/4	16/4	16/4	16/4	-	-	
Rated operational current / poles in series, DC-22A	up to 48 V ¹⁾	A	16/1	25/1	32/1	63/1	80/1	100/1	125/1	
	110 V	A	16/2	25/2	32/2	63/2	80/2	100/2	125/2	
	220 V	A	16/3	25/3	32/4	45/4	45/4	63/4	80/4	
	440 V	A	10/4	10/4	10/4	10/4	10/4			
Rated operational current / poles in series, DC-23A	up to 48 V ¹⁾	A	16/1	25/1	32/1	63/1	80/1	100/1	125/1	
	110 V	A	16/2	25/2	32/2	63/2	80/2	100/2	125/2	
	220 V	A	16/4	25/4	32/4	45/4	45/4	63/4	63/4	
	440 V	A	10/4	10/4	10/4	10/4	10/4			
Rated operational power, AC-23A ²⁾ The kW-ratings are accurate for 3-phase 1500 R.P.M. standard asynchronous motors	230 V	kW	3	4	5.5	11	22	22	22	
	400...500 V	kW	7.5	9	11	22	37	37	45	
	690 V	kW	7.5	9	11	15	18.5	37	45	
Rated breaking capacity in category AC-23	up to 415 V	A	128	160	184	360	640	640	720	
	500 V	A	128	160	184	360	464	480	560	
	690 V	A	80	88	96	160	160	320	400	
Rated conditional short-circuit current I _p (r.m.s.) and corresponding max. allowed cut-off current \hat{i}_c (peak) value. The cut-off current \hat{i}_c refers to values listed by fuse manufacturers (single phase test acc. to IEC60269).	I _p (r.m.s.) 50 kA, 415 V Max. OFA_ fuse size	\hat{i}_c (peak)	kA	6.5	6.5	6.5	13	13	16.5	16.5
		gG/aM	A/A	40/32	40/32	40/32	100/80	100/80	125/125	125/125
	I _p (r.m.s.) 100 kA, 500 V Max. OFA_ fuse size	\hat{i}_c (peak)	kA	-	-	-	17	17	-	-
	gG/aM	A	-	-	-	100/80	100/80	-	-	
Rated short-time withstand current	I _{cw} (r.m.s.)	690 V 1s	kA	0.5	0.5	0.5	1.5	1.5	2.5	2.5
Rated short-time making capacity ³⁾	I _{cm} (peak)	690 V	kA	0.7	0.7	0.7	1.4	2.1	3.6	3.6
Power loss / pole	With rated current	W	0.3	0.6	1.6	2.8	4.5	4.0	6.3	
Mechanical endurance	Number of oper. cycles ⁴⁾	Cycles	10 000	10 000	10 000	10 000	10 000	10 000	10 000	
Cable size	Cu-wire size suitable for terminal clamps	mm ²	0.75-10	0.75-10	0.75-10	1.5-35	1.5-35	10-70	10-70	
		AWG	18-8	18-8	18-8	14-4	14-4	8-00	8-00	
Terminal tightening torque	Counter torque required	Nm	0.8	0.8	0.8	2	2	6	6	
Operating torque	Typical for 3-pole switches	Nm	1	1	1	1.2	1.2	2	2	
Weight without accessories	3-pole switch	kg	0.25	0.25	0.25	0.64	0.64	0.90	0.90	
	4-pole switch	kg	0.31	0.31	0.31	0.70	0.70	1.18	1.18	
Data according to UL508 (Listed)										
Current		A	16	25	40	60	80	-	-	
Horsepower, 3-phase	200 V	HP	3	7.5	10	15	20	-	-	
	208 V	HP	3	7.5	10	15	20	-	-	
	240 V	HP	5	7.5	10	15	20	-	-	
	480 V	HP	10	15	20	30	40	-	-	
	600 V	HP	10	20	25	30	40	-	-	

¹⁾ Below 48 V, two poles in parallel up to OT80 are recommended particularly in polluted atmosphere

²⁾ These values are given for guidance and may vary according to the motor manufacturer

³⁾ Short circuit duration >50ms, without fuse protection

⁴⁾ Operating cycle: O - I - O - II - O

Technical Data Manual Change-over Switches

OT160...800, IEC

Technical data according to IEC 60947-3

Switch size			OT_160_	OT_200_	OT_250_	OT_315_	OT_400_	OT_630_	OT_800_	
Data according to IEC 60947-3										
Rated insulation voltage and rated operational voltage AC20/DC20	Pollution degree 3	V	1 000	1 000	1 000	1 000	1 000	1 000	1 000	
Dielectric strength	50 Hz 1 min.	kV	10	10	10	10	10	10	10	
Rated impulse withstand voltage		kV	12	12	12	12	12	12	12	
Rated thermal current and rated operational current AC20/DC20 ..with minimum conductor cross section	/ ambient 40°C	In open air	A	160	200	250	315	400	630	800
	/ ambient 40°C	In enclosure	A	160	200	250	315	400	630	800
Rated operational current, AC-21A		Cu	mm ²	70	95	120	185	240	2x185	2x240
	up to 500 V	A	160	200	250	315	400	630	800	
Rated operational current, AC-22A	up to 500 V	A	160	200	250	315	400	630	800	
	690 V	A	160	200	250	315	400	630	800	
Rated operational current, AC-23A	up to 500 V	A	160	200	250	315	400	630	800	
	690 V	A	160	200	250	315	400	630	800	
Rated operational current / poles in series, DC-21A ⁴⁾	≤ 110 V	A	160/2	200/2	250/2	315/1 ¹⁾	400/1 ¹⁾	630/1	800/1	
	220 V	A	160/2	200/2	250/2	315/2 ¹⁾	400/2 ¹⁾	630/1	800/1	
	440 V	A	160/3	200/3	230/3	315/3	360/3	630/2	720/2	
	660 V	A	160/4	200/4	200/4	315/4	315/4	630/4 ¹⁾	630/4 ¹⁾	
Rated operational power, AC-23A ²⁾ The kW-ratings are accurate for 3-phase 1500 R.P.M. standard asynchronous motors	230 V	kW	45	60	75	100	132	200	250	
	400 V	kW	90	110	140	160	220	355	450	
	415 V	kW	90	110	145	180	230	355	450	
	500 V	kW	110	132	170	220	280	400	560	
	690 V	kW	160	200	250	315	400	630	800	
Rated breaking capacity in category AC-23	up to 500 V	A	1 280	1 600	2 000	2 520	3 200	5 040	6 400	
	690 V	A	1 280	1 600	2 000	2 520	3 200	5 040	6 400	
Rated conditional short-circuit current I _p (r.m.s.) and cut-off current \hat{i}_c (peak) value. The cut-off current \hat{i}_c refers to values listed by fuse manufacturers (single phase test acc. to IEC60269).	I _p (r.m.s.) 80 kA, 415 V	\hat{i}_c (peak)	kA	40.5	40.5	40.5	59	59	83.5	83.5
	Max. OFA_fuse size	gG/aM	A/A	355/315	355/315	355/315	500/500	500/500	800/1000	800/1000
	I _p (r.m.s.) 100 kA, 500 V	\hat{i}_c (peak)	kA	40.5	40.5	40.5	61.5	61.5	90	90
	Max. OFA_fuse size	gG/aM	A	315/315	315/315	315/315	500/450	500/450	800/800	800/800
	I _p (r.m.s.) 80 kA, 690 V	\hat{i}_c (peak)	kA	40.5	40.5	40.5	59	59	83.5	83.5
Max. OFA_fuse size	gG/aM	A	355/315	355/315	355/315	500/500	500/500	800/1000	800/1000	
Rated short-time withstand current	I _{cw} (r.m.s.)	690 V 0.15s	kA	15	15	15	31	31	38	38
		690 V 0.25s	kA	15	15	15	24	24	36	36
		690 V 1s	kA	8	8	8	15	15	20	20
		690 V	kA	30	30	30	65	65	80	80
Rated short-time making capacity ³⁾	I _{cm} (peak) ⁴⁾	kA	30	30	30	65	65	80	80	
Power loss / pole	With rated current	W	3.2	4	6.5	6.5	10	25	40	
Mechanical endurance	Number of oper. cycles ⁵⁾	Cycles	8 000	8 000	8 000	8 000	8 000	5 000	5 000	
Terminal bolt size	Metric thread diameter x length	mm	M8x25	M8x25	M8x25	M10x30	M10x30	M12x40	M12x40	
Terminal tightening torque	Counter torque required	Nm	15-22	15-22	15-22	30-44	30-44	50-75	50-75	
Operating torque	3-pole change-over switches	Nm	7	7	7	16	16	27	27	
Weight without accessories	Manual change-over switches	3-poles	kg	2.5	2.5	2.5	4.7	4.7	12.8	12.8
		4-poles	kg	3.2	3.2	3.2	5.8	5.8	15.6	15.6
Data according to IEC 60947-6-1										
Class of equipment			PC	PC	PC	PC	PC	PC	PC	
Rated short-time withstand current	I _{cw} (r.m.s.)	690 V 0.1s	kA	15	15	15	25	25	38	38
Rated operational current, AC-31B		up to 415 V	A	160	200	250	315	400	630	800
Rated operational current, AC-33B		up to 415 V	A	160	200	250	315	400	630	800

¹⁾ Utilization category B

²⁾ These values are given for guidance and may vary acc. to the motor manufacturer

³⁾ Short circuit duration > 50ms, without fuse protection

⁴⁾ Max. distance from switch frame to nearest busbar / cable support 150 mm

⁵⁾ Operating cycle: O - I - O - II - O

⁶⁾ Further ratings on request

1000 V ratings on request

Technical Data Fuse Switches

OS32...160, IEC

Technical data according to IEC 60947-3

Switch type			OS_32G	OS_50G	OS_63G	OS_100G	OS_125G	OS_160G
Rated insulation voltage			1000 V	1000 V	1000 V	1000 V	1000 V	1000 V
Dielectric strength	Pollution degree 3	50 Hz 1min.	10 kV	10 kV	10 kV	10 kV	10 kV	10 kV
Rated impulse withstand voltage			12 kV	12 kV	12 kV	8 kV	8 kV	8 kV
Rated thermal current in ambient 35 °C and temporarily 40 °C ¹⁾ / max. fuse power dissipation	In open air		32 A/7.5 W	50 A/7.5 W	63 A/7.5 W	100 A/12 W	125 A/12 W	160 A/12 W
	In enclosure		32 A/7.5 W	50 A/7.5 W	63 A/7.5 W	100 A/12 W	125 A/12 W	160 A/12 W
...with minimum cable cross section		Cu	6 mm ²	10 mm ²	16 mm ²	50 mm ²	50 mm ²	70 mm ²
Power loss / pole	With rated current, without fuse		1 W	2.5 W	4 W	4 W	5 W	9 W
Derating, mounting on wall horizontal fuses	In open air or ventilated enclosure		0 %	0 %	0 %	0 %	0 %	0 %
	Totally enclosed		5 %	5 %	5 %	5 %	5 %	5 %
Derating, mounting on ceiling			10 %	10 %	10 %	10 %	10 %	10 %
Derating at 60 °C	In open air/ in enclosure		20/20 %	20/20 %	20/20 %	20/20 %	20/20 %	20/20 %
Rated operational voltage AC-20 and DC-20			1000 V	1000 V	1000 V	1000 V	1000 V	1000 V
Rated operational current, AC-21A	up to 500 V		32 A	50 A	63 A	100 A	125 A	160 A
	690 V		32 A	50 A	63 A	100 A	125 A	160 A
Rated operational current, AC-22A	up to 500 V		32 A	50 A	63 A	100 A	125 A	160 A
	690 V		32 A	50 A	63 A	100 A	125 A	160 A
Rated operational current, AC-23A	up to 500 V		32 A	50 A	63 A	100 A	125 A	160 A
	690 V		32 A	50 A	63 A	100 A	125 A	160 A
Rated operational current / poles in series DC-21A	48 V		32 A/2	50 A/2	63 A/2	100 A/2	125 A/2	160 A/2
	110-220 V		32 A/2*	50 A/2*	63 A/2*	100 A/2*	125 A/2*	125 A/2*
	440 V		32 A/4*	50 A/4*	63 A/4*	100 A/4*	125 A/4*	125 A/4*
Rated operational current / poles in series DC-22A	48 V		32 A/2	50 A/2	63 A/2	100 A/2	125 A/2	160 A/2
	110-220 V		32 A/2*	50 A/2*	63 A/2*	100 A/2*	125 A/2*	125 A/2*
Rated operational current / poles in series DC-23A	48 V		32 A/2	50 A/2	63 A/2	100 A/2	125 A/2	160 A/2
	110-220 V		32 A/2*	50 A/2*	63 A/2*	100 A/2*	125 A/2*	125 A/2*
Rated operational power, AC-23 ²⁾	The kW-ratings are accurate for three-phase 1500 R.P.M. standard asynchronous motors.	230 V	7.5 kW	11 kW	18.5 kW	30 kW	37 kW	45 kW
		400 V	15 kW	22 kW	30 kW	55 kW	55 kW	75 kW
		415 V	15 kW	22 kW	30 kW	55 kW	55 kW	75 kW
		500 V	18.5 kW	30 kW	37 kW	55 kW	75 kW	90 kW
		690 V	22 kW	37 kW	55 kW	90 kW	110 kW	132 kW
		≤ 690 V	504 A	504 A	504 A	1280 A	1280 A	1280 A
Rated breaking capacity in category AC-23		up to 220 V	252 A/2	252 A/2	252 A/2	640 A/2	640 A/2	640 A/2
Rated conditional short-circuit current I _c (r.m.s.) and corresponding max. allowed cut-off current of fuse I _c The cut-off current I _c refers to values listed by fuse manufacturers (single phase test acc. to IEC60269).	I _c 80 kA, 415 V	Max allowed I _c	13.5 kA	13.5 kA	13.5 kA	23.5 kA	23.5 kA	23.5 kA
		Max OFA_ fuse size gG/aM	80/63 A	80/63 A	80/63 A	160/160 A	160/160 A	160/160 A
	I _c 100 kA, 500 V	Max allowed I _c	12.5 kA	12.5 kA	12.5 kA	25.5 kA	25.5 kA	25.5 kA
		Max OFA_ fuse size gG/aM	63/50 A	63/50 A	63/50 A	160/160 A	160/160 A	160/160 A
	I _c 50 kA, 690 V	Max allowed I _c	9.5 kA	9.5 kA	9.5 kA	17.5 kA	17.5 kA	17.5 kA
		Max OFA_ fuse size gG/aM	63/50 A	63/50 A	63/50 A	125/160 A	125/160 A	125/160 A
	I _c 80 kA, 690 V	Max allowed I _c	11.5 kA	11.5 kA	11.5 kA	20.5 kA	20.5 kA	20.5 kA
		Max OFA_ fuse size gG/aM	50/50 A	50/50 A	50/50 A	125/160 A	125/160 A	125/160 A
I _c 50 kA, 415 V	Max allowed I _c	10 kA	10 kA	10 kA	18 kA	18 kA	18 kA	
	Max BS fuse size gG/gM	63/63M80 A	63/63M80 A	63/63M80 A	160/100M160 A	160/100M160 A	160/100M160 A	
I _c 80 kA, 415 V	Max allowed I _c	13 kA	13 kA	13 kA	19.5 kA	19.5 kA	19.5 kA	
	Max BS fuse size gG/gM	63/63M80 A	63/63M80 A	63/63M80 A	160/100M125 A	160/100M125 A	160/100M125 A	
Rated short-time withstand current, 1 s.	r.m.s. -value		2.5 kA	2.5 kA	2.5 kA	5 kA	5 kA	5 kA
Rated capacitor power when no initial charge on the capacitor	The capacitor rating of the switch-fuse is limited by the fuse link.	400 V	15 kVAr	20 kVAr	25 kVAr	40 kVAr	50 kVAr	60 kVAr
		415 V	15 kVAr	25 kVAr	32 kVAr	42 kVAr	55 kVAr	65 kVAr
		690 V	25 kVAr	42 kVAr	50 kVAr	75 kVAr	90 kVAr	100 kVAr
Mechanical endurance	Divide by two for operation cycles		20 000 Oper.	20 000 Oper.	20 000 Oper.	20 000 Oper.	16 000 Oper.	16 000 Oper.
Fuse types, IEC 60269-2	DIN 43620		000 ⁶⁾		000 ⁶⁾		000,00 ⁴⁾⁷⁾	000,00 ⁴⁾⁷⁾
	NFC 63210, 63211			14x51			22x58	
	BS 88-2, -6		A2-A3 ³⁾		A2-A3 ³⁾	A2-A4 ⁴⁾	A2-A4 ⁴⁾	A2-A4 ⁴⁾
	distance of fuse-link bolts		M5/73 mm		M5/73 mm	M5/73 mm	M5/73 mm	M5/73 mm
	distance of fuse-link bolts					M8/94 mm	M8/94 mm	M8/94 mm
Cable size		Cu	2.5...25 mm ²	2.5...25 mm ²	2.5...25 mm ²			
Terminal tightening torque			3/4 Nm ⁵⁾	3/4 Nm ⁵⁾	3/4 Nm ⁵⁾	15-22 Nm	15-22 Nm	15-22 Nm
Fuse-links bolts tightening torque	Counter torque required		3.5 Nm		3.5 Nm	M5:3.5 Nm M8:5 Nm	M5:3.5 Nm M8:5 Nm	M5:3.5 Nm M8:5 Nm
Operating torque	Typical for 3-pole switch fuses		5 Nm	5 Nm	5 Nm	7 Nm	7 Nm	7 Nm

* = Utilization category B.

¹⁾ Acc. to IEC 60947-1, § 6.1.1. Minimum ambient temperature -5°C. Category B: -5°C...-35°C.

²⁾ Some fuse links limit these figures further. Starting current characteristics must be considered separately.

³⁾ Max. fuse body diam. 22 mm.

⁴⁾ Max. fuse body diam. 32 mm.

⁵⁾ 3 Nm with cable sizes 2.5...6 mm², 4 Nm with cable sizes 10...25 mm².

⁶⁾ Max. allowed knife dimension h is 15 mm.

⁷⁾ For solid link size 00 the a dimension must be min. 80.0 mm.

Technical Data Fuse Switches

OS200...400, IEC

Technical data according to IEC 60947-3

Switch type			OS_200GB	OS_200_	OS_250_	OS_315B_	OS_400_
Rated insulation voltage and rated operational voltage AC-20 and DC-20	Pollution degree 3	50 Hz	1000 V	1000 V	1000 V	1000 V	1000 V
		1min.					
		Dielectric strength	10 kV	10 kV	10 kV	10 kV	10 kV
Rated impulse withstand voltage		8 kV	12 kV	12 kV	12 kV	12 kV	
Rated thermal current in ambient 35 °C and temporarily 40 °C ¹⁾ / max. fuse power dissipation	In open air		200 A/14 W	200 A/17 W	250 A/23 W	315 A/32 W	400 A/45 W
	In enclosure		200 A/14 W	200 A/15 W	250 A/20 W	315 A/32 W	400 A/30 W
...with minimum cable cross section		Cu	70 mm ²	95 mm ²	120 mm ²	185 mm ²	240 mm ²
Derating, mounting on wall horizontal fuses	In open air or ventilated enclosure		0 %	0 %	0 %	0 %	4 %
	Totally enclosed		5 %	5 %	5 %	5 %	8 %
Derating, mounting on ceiling			10 %	10 %	10 %	10 %	10 %
Derating at 60 °C	In open air / in enclosure		20/20 %	20/20 %	20/20 %	20/20 %	20/20 %
Power loss / pole	With rated current, without fuse		9 W	8 W	13 W	19 W	30 W
Rated operational current AC-22B		≤ 415 V	200 A				
Rated operational current AC-21A		≤ 500 V		200 A	250 A	315 A	400 A
		690 V		200 A	250 A	315 A	400 A
Rated operational current AC-22A		≤ 415 V		200 A	250 A	315 A	400 A
		500 V		200 A	250 A	315 A	400 A
		690 V		200 A	250 A	315 A	400 A
Rated operational current AC-23A		≤ 415 V		200 A	250 A	315 A	400 A
		500 V		200 A	250 A	315 A	400 A
		690 V		200 A	250 A	315 A	400 A
Rated operational current / poles in series DC-21A, DC-22A and DC-23A		≤ 220 V		200 A/1	250 A/1	315 A/2	400 A/2
		440 V		200 A/2	250 A/2	315 A/3*	400 A/3*
		660 V		200 A/3	250 A/3	315 A/4*	400 A/4*
		750 V		180 A/4	230 A/4	315 A/4*	400 A/4*
		880 V		180 A/4	230 A/4		
Rated operational power AC-23 ²⁾		230 V		60 kW	75 kW	100 kW	132 kW
		400 V		110 kW	140 kW	160 kW	220 kW
		415 V		110 kW	145 kW	180 kW	230 kW
		500 V		132 kW	170 kW	220 kW	280 kW
		690 V		200 kW	250 kW	315 kW	400 kW
Rated breaking capacity AC-23		≤ 690 V		1600 A	2000 A	3200 A	3200 A
Rated conditional short-circuit current I _{sc} (r.m.s.) and corresponding max. allowed cut-off current of fuse I _c The cut-off current I _c refers to values listed by fuse manufacturers (single phase test acc. to IEC60269).	I _{sc} 80 kA, 415 V	Max allowed I _c Max. OFA_fuse size gG/aM	23.5 kA	35 kA 250/200 A	40.5 kA 355/315 A		59 kA 500/500 A
		I _{sc} 100 kA, 500 V	Max allowed I _c Max. OFA_fuse size gG/aM		37.5 kA 250/200 A	37.5 kA 250/250 A	
	I _{sc} 80 kA, 690 V	Max allowed I _c Max. OFA_fuse size gG/aM		25 kA 250/250 A ³⁾	32.5 kA 250/250 A		46 kA 315/400 A
		I _{sc} 100 kA, 690 V	Max allowed I _c Max. SIBA NH fuse size gG/aM			200/200 A	
	I _{sc} 50 kA, 415 V	Max allowed I _c Max. BS fuse size gG/gM	21 kA 200/- A	28 kA 200/200M315	28 kA 250/200M315	44 kA 400/400M500	44 kA 400/400M500
		I _{sc} 80 kA, 690 V	Max allowed I _c Max. BS fuse size gG/gM	28 kA 250/200M250 A	28 kA 250/200M250 A	48 kA 400/400M450 A	48 kA 400/400M450 A
Rated short-time withstand current, 1s.	r.m.s. -value		5 kA	8 kA	8 kA	14 kA	14 kA
	Max. distance from switch frame to nearest busbar/cable support		150 mm	150 mm	150 mm	150 mm	150 mm
Rated capacitor power when no initial charge of the capacitor	The capacitor ratings of the switch-fuses are limited by the fuse links	400 V	60 kVAr	90 kVAr	105 kVAr	145 kVAr	180 kVAr
		415 V	65 kVAr	100 kVAr	115 kVAr	160 kVAr	200 kVAr
		500 V		120 kVAr	135 kVAr	175 kVAr	215 kVAr
		690 V	100 kVAr	160 kVAr	190 kVAr	250 kVAr	325 kVAr
Mechanical endurance	Divide by two for operation cycles		16 000 Oper.	20 000 Oper.	20 000 Oper.	16 000 Oper.	16 000 Oper.
Fuse types, IEC 60269-2	DIN 43620			0 ⁴⁾	0-1 ⁵⁾		0-2 ⁷⁾
	BS 88-2, -6		A2-A4	B1-B2	B1-B3 ⁴⁾	B1-B4 ³⁾	B1-B4 ³⁾
	Size / distance of fuse-link bolts		M5/73 mm M8/94 mm	M6/111 mm	M8/111 mm	M8/111 mm	M8/111 mm
Terminal tightening torque			15-22 Nm	30-44 Nm	30-44 Nm	30-44 Nm	
Fuse-links bolts tightening torque	Counter torque required		M5:3.5 Nm M8:5 Nm	4 Nm	5 Nm	20 Nm	20 Nm
Operating torque	Typical for 3-pole switch fuses		7 Nm	7 Nm	7 Nm	19 Nm	19 Nm

* = Utilization category B.
¹⁾ Acc. to IEC 60957-2, IEC 60947-1, § 6.1.1. Minimum ambient temperature -5°C. Category B: -5°C...-35°C.
²⁾ Utilization category DC21-B.
³⁾ These values are given for guidance and may vary acc. to the motor manufacturer.

⁴⁾ Max. fuse body diam 52 mm.
⁵⁾ Max. fuse body diam 62 mm.
⁶⁾ Max. allowed knife dimension h is 21 mm
⁷⁾ Max. allowed knife dimension h is 27 mm
⁸⁾ OS2000DZ_ 200/250 A

Technical Data Fuse Switches

OS630...800, IEC

Technical data according to IEC 60947-3

Switch type			OS_630_	OS_800_
Rated insulation voltage and rated operational voltage AC-20 and DC-20	Pollution degree 3	50 Hz 1min.	1000 V	1000 V
Dielectric strength			10 kV	10 kV
Rated impulse withstand voltage			12 kV	12 kV
Rated thermal current in ambient 35 °C and temporarily in 40 °C ¹⁾ / max. fuse power dissipation	In open air		630 A/60 W	800 A/65 W
	In enclosure		570 A/50 W	720 A/55 W
...with minimum cable cross section		Cu	2 x 185 mm ²	2 x 240 mm ²
Derating, mounting on wall horizontal fuses	In open air or ventilated enclosure		0 %	4 %
	Totally enclosed		5 %	8 %
Derating, mounting on 'ceiling'			10 %	10 %
Derating at 60 °C	In open air / in enclosure		20/20 %	20/20 %
Power loss / pole	With rated current, without fuse		46 W	75 W
Rated operational current AC-21A		≤ 500 V	630 A	800 A
		690 V	630 A	800 A
Rated operational current AC-22A		≤ 415 V	630 A	800 A
		500 V	630 A	800 A
		690 V	630 A	800 A
Rated operational current AC-23A		≤ 415 V	630 A	800 A
		500 V	630 A	800 A
		690 V	630 A	800 A
Rated operational current / poles in series DC-21A, DC-22A and DC-23A		≤ 220 V	630 A/1'	800 A/1'
		440 V	630 A/2'	800 A/2'
		660 V	630 A/3'	720 A/3'
		750 V	630 A/4'	720 A/4'
		880 V	630 A/4'	720 A/4'
Rated operational power AC-23 ³⁾		230 V	200 kW	250 kW
		400 V	355 kW	450 kW
		415 V	355 kW	450 kW
		500 V	450 kW	560 kW
		690 V	630 kW	710 kW
Rated breaking capacity AC-23		≤ 690 V	6400 A	6400 A
Rated conditional short circuit current I _c (r.m.s.) and corresponding max. allowed cut-off current of fuse I _{cc} The cut-off current I _{cc} refers to values listed by fuse manufacturers (single phase test acc. to IEC60269)	I _c 80 kA, 415 V	Max allowed I _c Max OFA_ fuse size gG/aM	77 kA 800/800 A	77 kA 800/800 A
		Max allowed I _c Max OFA_ fuse size gG/aM	83 kA 800/800 A	83 kA 800/800 A
	I _c 100 kA, 500 V	Max allowed I _c Max OFA_ fuse size gG/aM	55 kA 500/630 A	55 kA 500/630 A
		Max allowed I _c Max BS fuse size gG/gM	67 kA	67 kA
Rated short-time withstand current, 1s.	r.m.s. -value Max. distance from switch frame to nearest busbar/cable support		18 kA	18 kA
			150 mm	150 mm
Rated capacitor power when no initial charge of the capacitor	The capacitor ratings of the switch-fuses are limited by the fuse links	400 V	250 kVAr	310 kVAr
		415 V	270 kVAr	340 kVAr
		500 V	300 kVAr	375 kVAr
		690 V	450 kVAr	550 kVAr
Mechanical endurance	Divide by two for operation cycles		10 000 Oper.	6000 Oper.
Fuse types, IEC 60269-2	DIN 43620		2-3 ⁴⁾	2-3 ⁴⁾
	BS 88-2, 6		C1-C3	C1-C3
	Size / distance of fuse-link bolts		M10/133, 184 mm	M10/133, 184 mm
Terminal tightening torque	Counter torque required		50-75 Nm	50-75 Nm
Fuse-links bolts tightening torque			M10:30 Nm M12:40 Nm	M10:30 Nm M12:40 Nm
Operating torque	Typical for 3-pole switch fuses		38 Nm	38 Nm

¹⁾ = Utilization category B.

²⁾ Acc. to IEC 60957-2, IEC 60947-1, § 6.1.1. Minimum ambient temperature -5°C. Category B: -5°C...-35°C.

³⁾ Category B.

⁴⁾ These values are given for guidance and may vary acc. to the motor manufacturer.

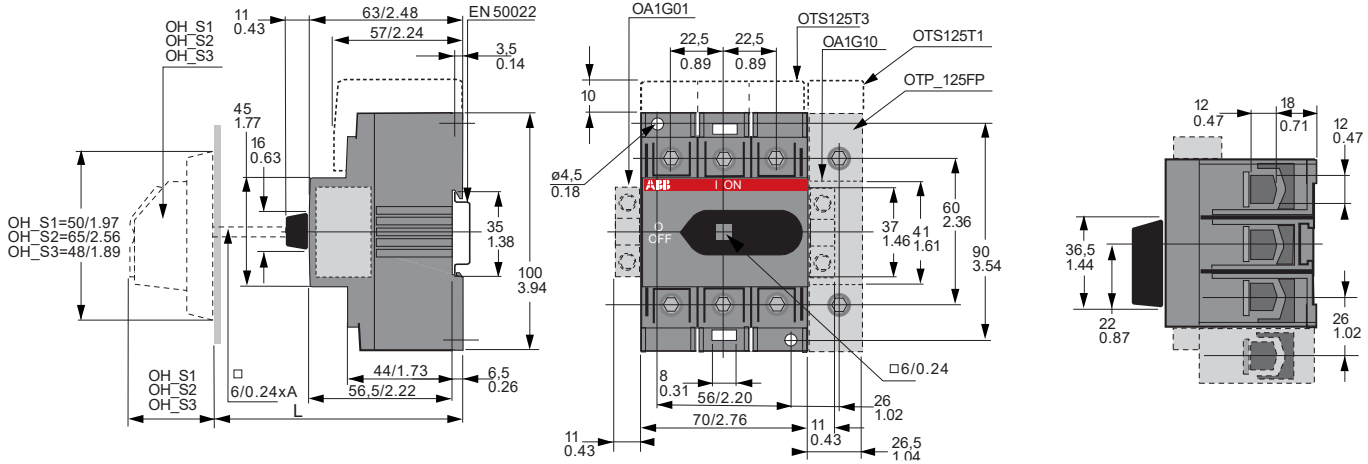
⁵⁾ Max. allowed knife dimension h is 35 mm

⁶⁾ For 2-pole switches max BS fuse gG 1000 A

Dimensional Drawings

Manual Switch Disconnectors 20A to 125A

OT30, 60, 100, 125F3, _F4

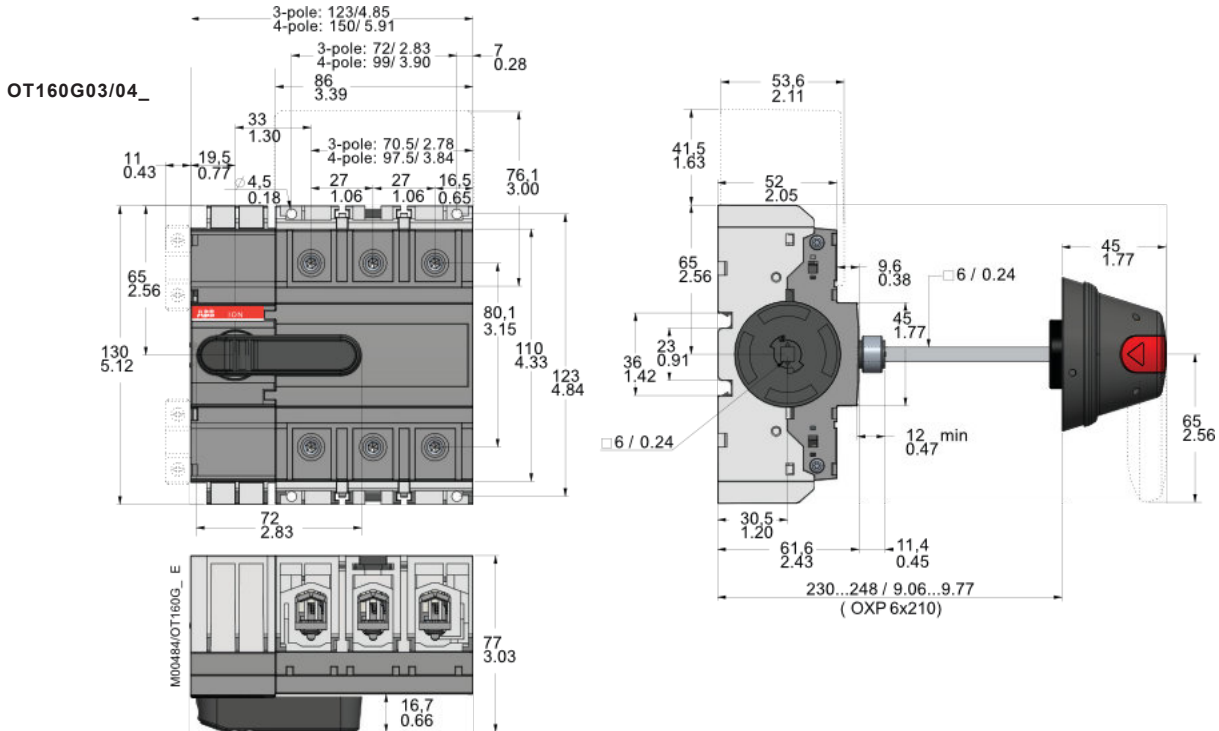


Shafts OXS	Handle OH_S2	Handle OH_S1
A	L min-max	L min-max
mm/ in		
85/ 3.35	127-139/5-5.48	113-123/4.45-4.85
105/4.14	147-159/ 5.79-6.26	133-143/5.24-5.63
120/4.73	162-174/6.38-6.85	148-158/ 5.83-6.22
130/ 5.13	172-184/6.77-7.25	158-168/6.22-6.62
160/ 6.3	202-214/ 7.96-8.43	188-198/ 7.4-7.8
180/ 7.09	222-234/8.75-9.22	208-218/8.19-8.59
250/ 9.85	292-304/ 11.5-11.98	278-288/10.95-11.34
330/ 13	372-384/14.65-15.13	358-368/14.1-14.5

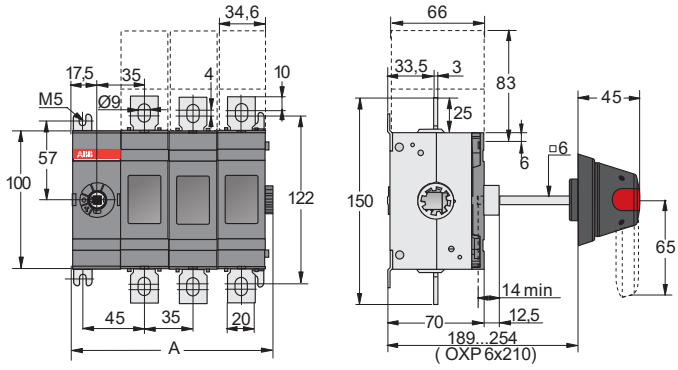
Shafts OX	Handle OZ331_P
A	L min-max
mm/ in	
60/ 2.36	112-133/4.41-5.24
85/ 3.35	137-158/ 5.4-6.22
105/4.14	157-178/6.18-7.01
115/4.53	167-188/6.58-7.4
130/ 5.12	182-203/ 7.17-8
155/ 6.11	207-228/8.16-8.98
200/ 7.88	252-273/9.93-10.75
300/ 11.82	352-373/13.87-14.69

Shafts OXP	Handle OHB45J6	
A	L min-max	
mm/ in	mm/ in	
150/ 5.91	161/ 63.39	180/ 70.87
170/6.70	181/ 71.26	200/ 78.74
265/10,43	276/108.66	295/116.14
400/15.75	411/ 161.81	430/ 169.29

Manual Switch Disconnectors 160A



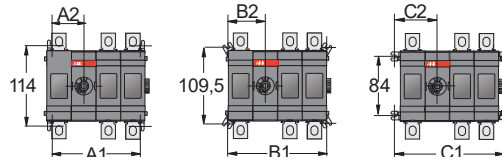
Manual Switch Disconnectors 160A to 250A



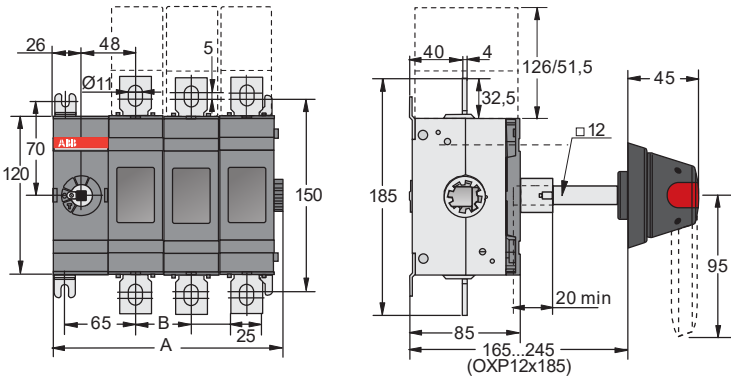
OT160EV_/200E_/250E_

[mm]	E01	E02	E03	E04
A	75,5	110,5	145,5	180,5
A1	55	90	125	160
B1	71	106	141	176
C1	85	120	155	190

M00011/S01843 OT200_250E01_04 F



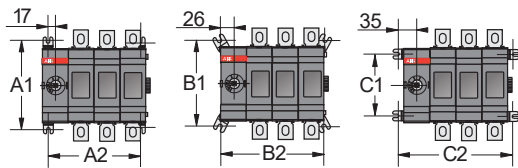
Manual Switch Disconnectors 315A to 400A



OT315...OT400_

[mm]	E01	E02	E03	E04
A	103	147	191	235
B	-	44	44	44
A1	140	140	140	140
A2	78	122	166	210
B1	135	135	135	135
B2	96	140	184	228
C1	104	104	104	104
C2	114	158	202	246

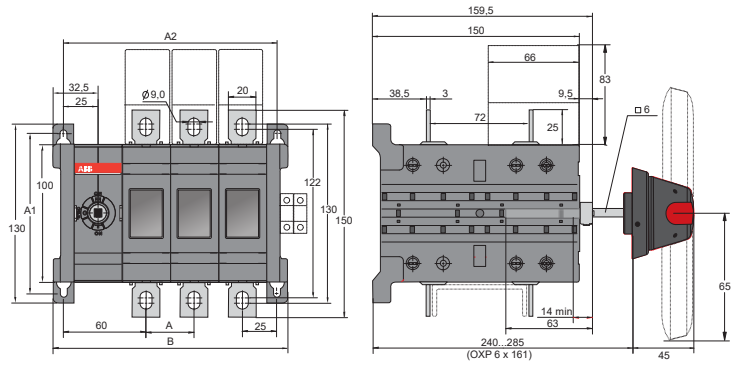
M00012_ES/OT315_400E01_04 E



Manual Change-over Switches 160A to 250A

	E03	E04	E12	E13	E22	E23	E33
	mm	mm	mm	mm	mm	mm	mm
A1	116	116	116	116	116	116	116
A2	155	190	155	190	190	225	260
B	170	205	170	205	205	240	275

C000001/ OT160-250E02-04_C_/ ES

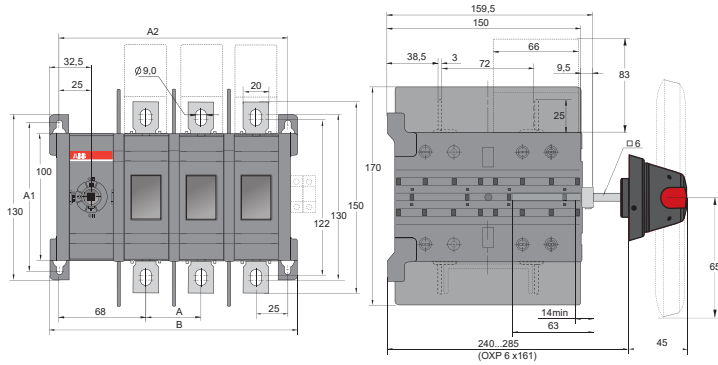


OT160...OT250E03/04WC_P

OT160-250_WC

	E03	E04
	mm	mm
A	43	43
A1	116	116
A2	179	222
B	194	237

C000010/ OT160-250E_WC_C_/ ES



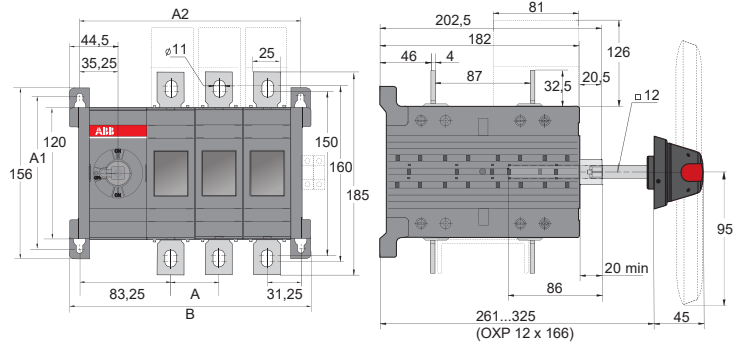
Manual Change-over Switches 315A to 400A

OT315...400E03/04C_P

OT315-400_C

	E03	E04	E12	E13	E22	E23	E33
	mm	mm	mm	mm	mm	mm	mm
A	44	44	44	44	44	44	44
A1	142	142	142	142	142	142	142
A2	202.5	246.5	202.5	246.5	246.5	290.5	334.5
B	221	265	221	265	265	309	353

C000008 / 315-400E02-04_C_/ES



Main dimensions (mm)

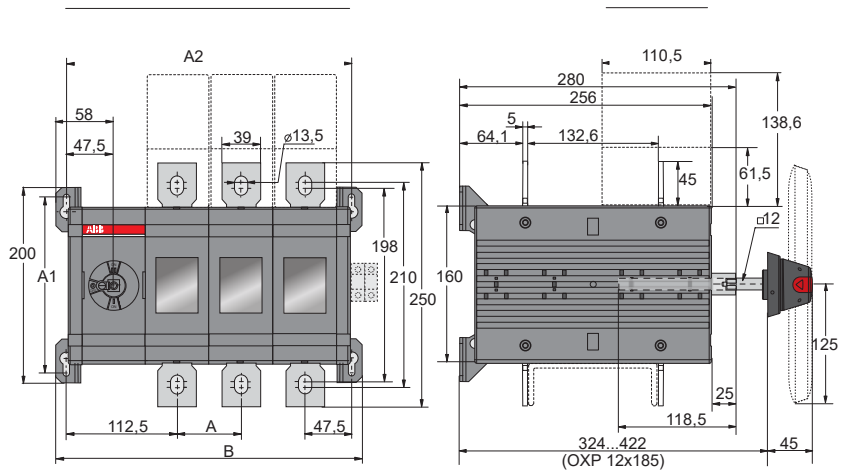
Manual Change-over Switches 630A to 800A

OT630...800E03/04C_P

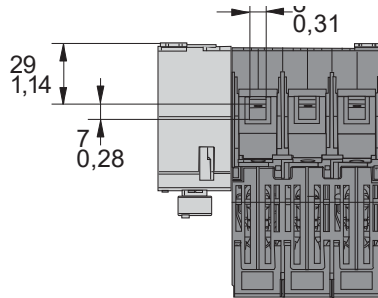
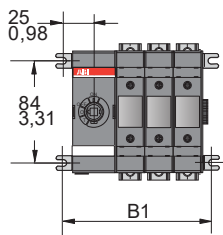
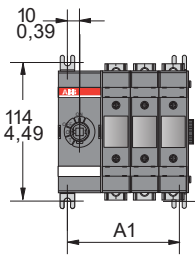
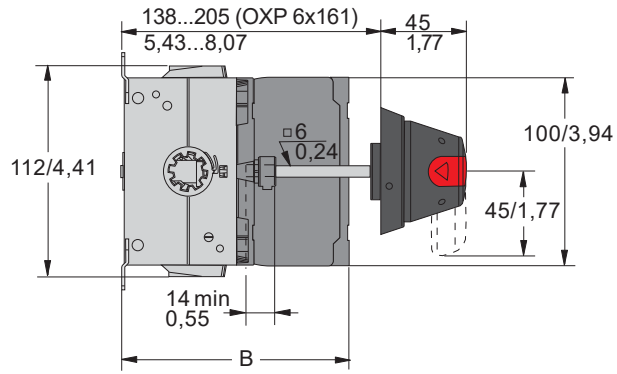
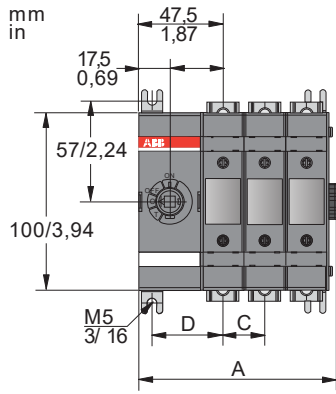
OT630-800_C

	E03	E04	E12	E13	E22	E23	E33
	mm	mm	mm	mm	mm	mm	mm
A	65	65	65	65	65	65	65
A1	180	180	180	180	180	180	180
A2	290	355	290	355	355	420	485
B	311	376	311	376	376	441	506

M00088/OT630-800E02-04C_/ES

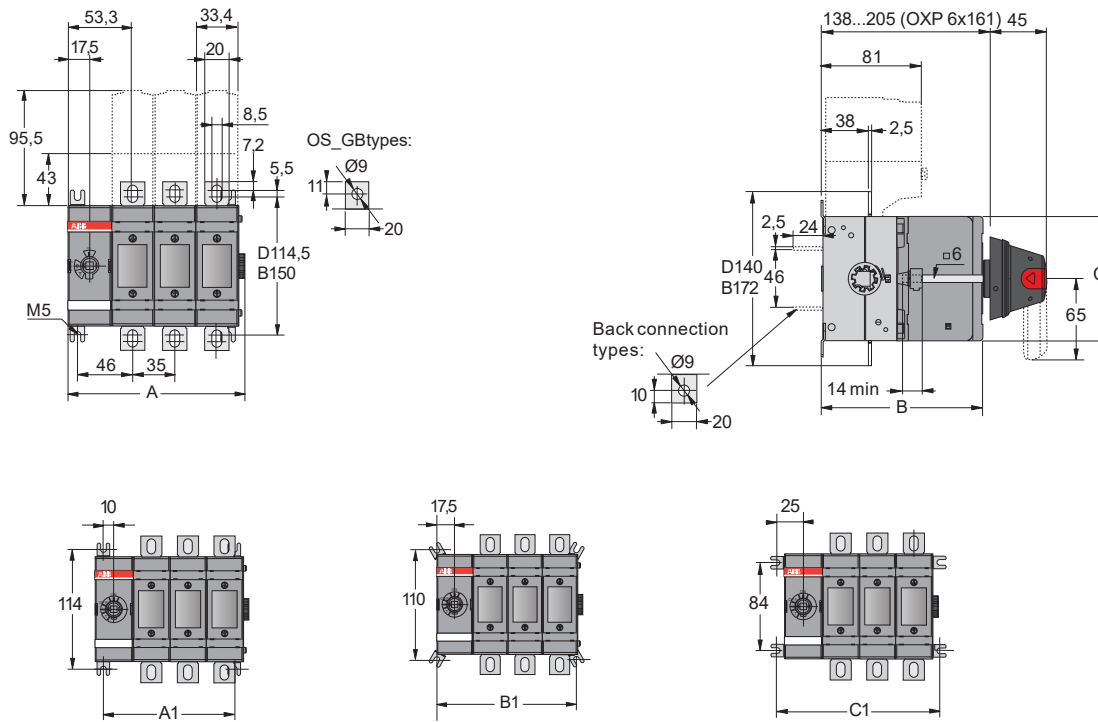


Four Pole Fuse Switches 32A to 63A



OS32-63GB/F				
[mm]	B/F01	B/F02	B/F03	B/F04
A	64,5	88	111,5	135,5
B	108,5	108,5	108,5	108,5
C	-	23,5	23,5	23,5
D	40	40	40	40
E	30	30	30	30
A1	45	68,5	92	111,5
B1	75	98,5	122	145,5

Four Pole Fuse Switches 160A to 200A

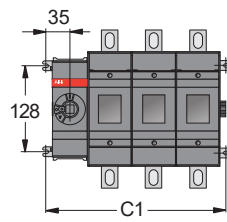
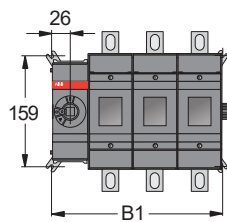
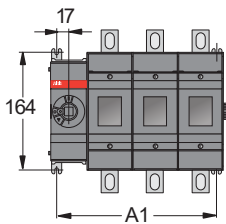
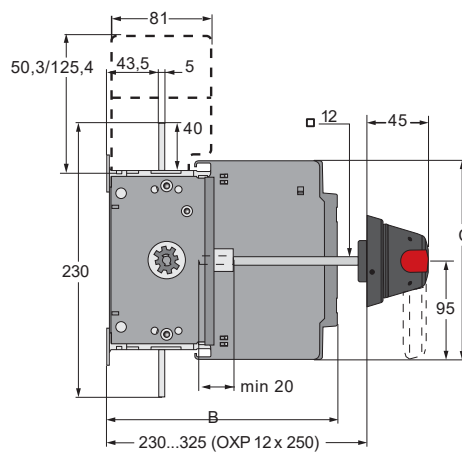
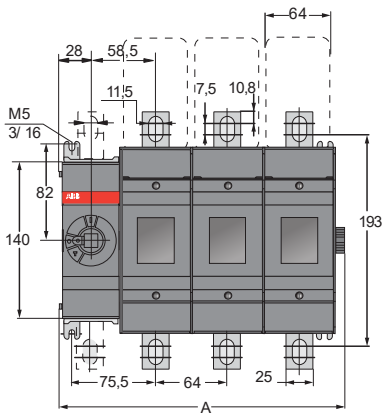


OS100-160G_				
[mm]	D/F01	D/F02	D/F03	D/F04
A	76,5	111,5	146,5	181,5
B	130	130	130	114,5
C	100	100	100	100
A1	55	90	125	160
B1	70	105	140	175
C1	85	120	155	190

M00289/OS100-160G_01-04 C

OS100-200G_				
[mm]	B01	B02	B03	B04
A	76,5	111,5	146,5	181,5
B	114,5	114,5	114,5	114,5
C	118	118	118	118
E	55	90	125	160
A1	70	105	140	175
B1	85	120	155	190

Four Pole Fuse Switches 315A to 400A



OS315				
[mm]	B01	B02	B03	B04
A	127	191	255	319
B	176	176	176	176
C	194	194	194	194

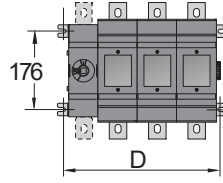
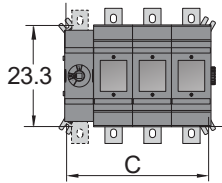
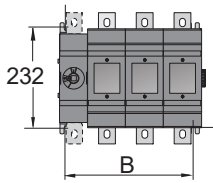
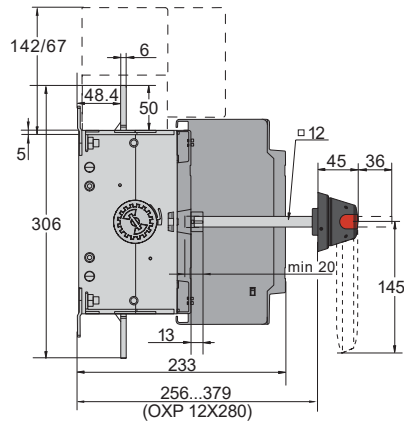
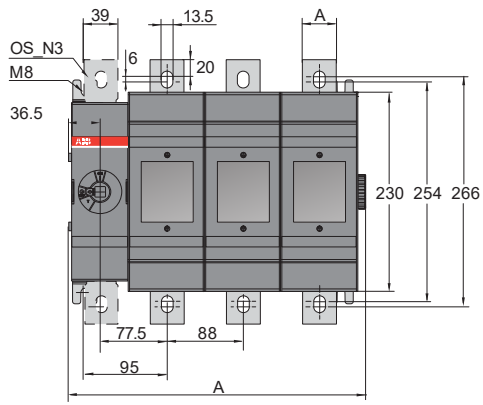
OS400								
[mm]	B01	B02	B03	B04	D01	D02	D03	D04
A	127	191	255	319	127	191	255	319
B	176	176	176	176	193	193	193	193
C	194	194	194	194	166	166	166	166

OS315				
[mm]	B01	B02	B03	B04
A1	98,5	162,5	226,5	290,5
B1	116,5	180,5	244,5	308,5
C1	134,5	198,5	262,5	326,5

OS400				
[mm]	B01/ D01	B02/ D02	B03/ D03	B04/ D04
A1	98,5	162,5	226,5	290,5
B1	116,5	180,5	244,5	308,5
C1	134,5	198,5	262,5	326,5

C000014 /OS315_400_001_04 A

Four Pole Fuse Switches 630A to 800A



OS630-800

[mm]	D/B01	D/B02	D/B03	D/B04
A	167	255	343	431
B	120	208	296	384
C	150	238	326	414
D	176	264	352	440

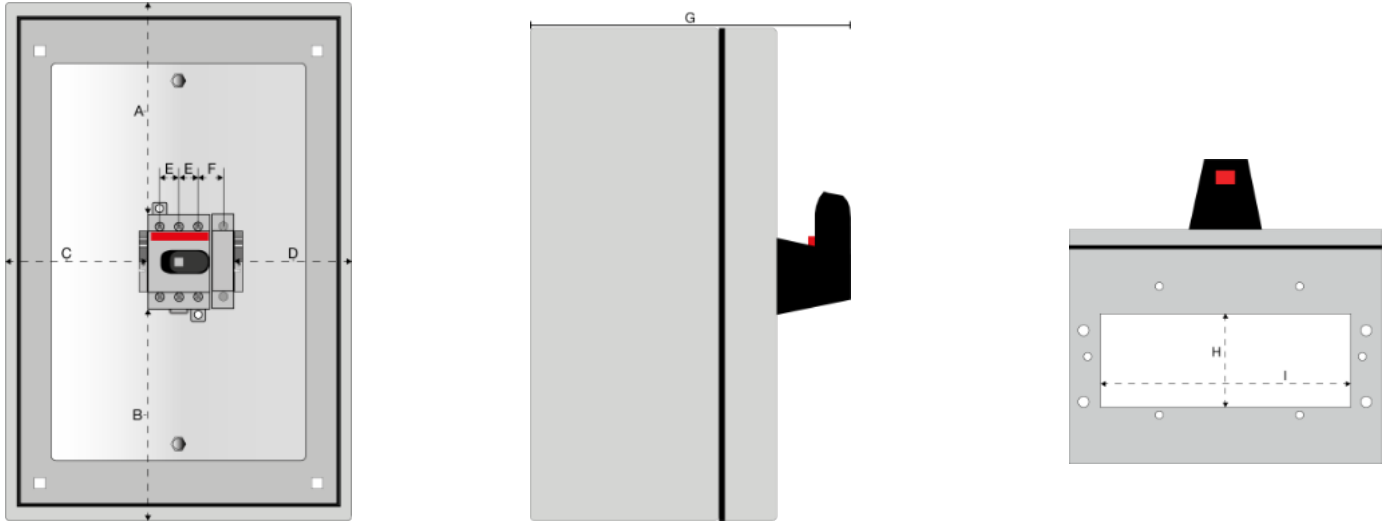
M00097/OS600-800_01-04A/ KE00041

Dimensional Drawings

Wall Mounted Isolators (Compact) 20A to 125A (RYEBISxx)

Product Code	Height	Width	Depth	A	B	C	D	E	F	G	H	I
RYEBIS0204T	300	200*	150	123	123	82	68	11	13.5	195	60	160
RYEBIS0304T	300	200*	150	123	123	82	68	11	13.5	195	60	160
RYEBIS0634T	300	200*	150	114	114	75	55.5	17.5	17.5	195	60	160
RYEBIS0804T	300	200*	150	114	114	75	55.5	17.5	17.5	195	60	160
RYEBIS1004T	300	200*	150	100	100	64.5	38.5	22.5	26	195	60	160
RYEBIS1254T	300	200*	150	100	100	64.5	38.5	22.5	26	195	60	160

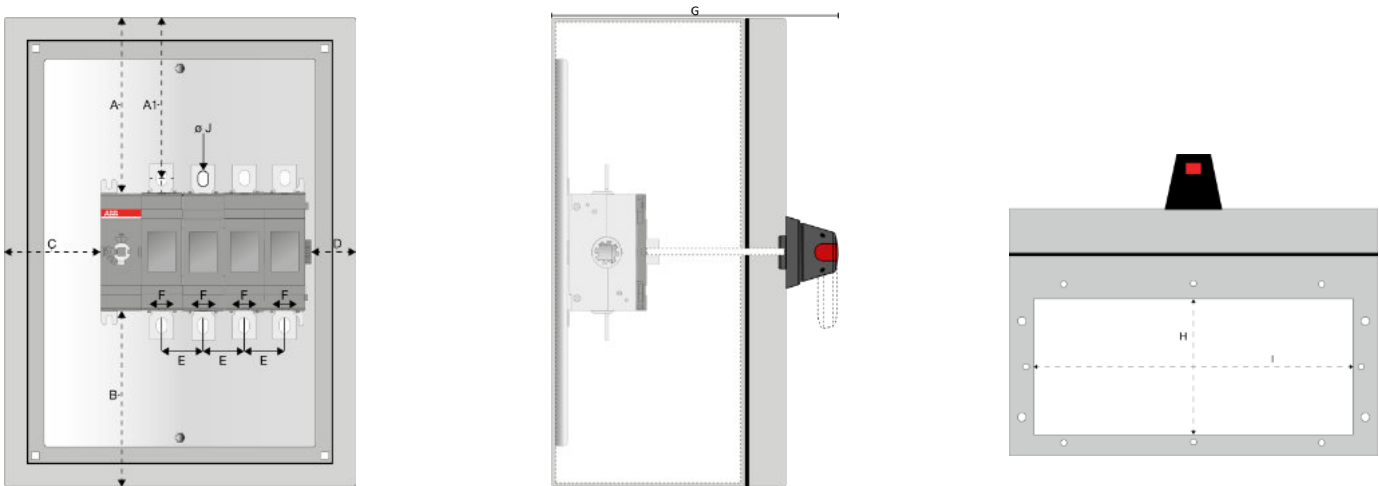
All measurements are in mm. * If using the mounting brackets, please allow for an additional 23 mm either side of the enclosure.



Wall Mounted Isolators (Heavy Duty) 125A to 250A (RYEISxx)

Product Code	Height	Width	Depth	A	A1	B	C	D	E	F	G	H	I	J
RYEIS1254T	500	300*	200	200	187	200	82	37.5	35	20	245	110	260	9
RYEIS1604T	500	400*	200	200	187	200	82	137.5	35	20	245	110	360	9
RYEIS2004T	500	400*	200	200	187	200	82	137.5	35	20	345	110	360	9
RYEIS2504T	500	400*	200	200	187	200	82	137.5	35	20	345	110	360	9

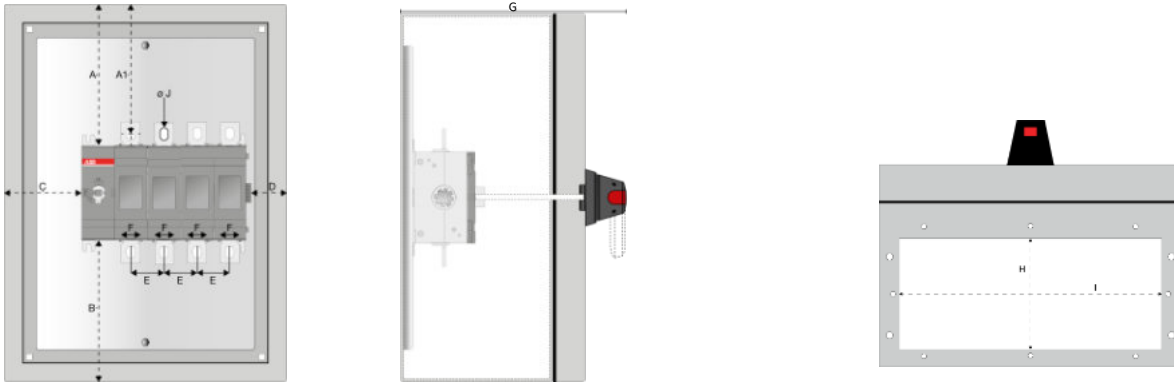
All measurements are in mm. * If using the mounting brackets, please allow for an additional 23 mm either side of the enclosure.



Wall Mounted Isolators (Heavy Duty) 315A to 800A (RYEISxx)

Product Code	Height	Width	Depth	A	A1	B	C	D	E	F	G	H	I	J
RYEIS3154T	600	400*	200	240	222.5	240	75	90	44	25	245	110	360	11
RYEIS4004T	600	400*	200	240	222.5	240	75	90	44	25	245	110	360	11
RYEIS6304T	800	600*	300	320	298	320	148	121	65	39	345	194	560	13.5
RYEIS8004T	1000	600*	300	420	398	420	148	121	65	39	345	194	560	13.5

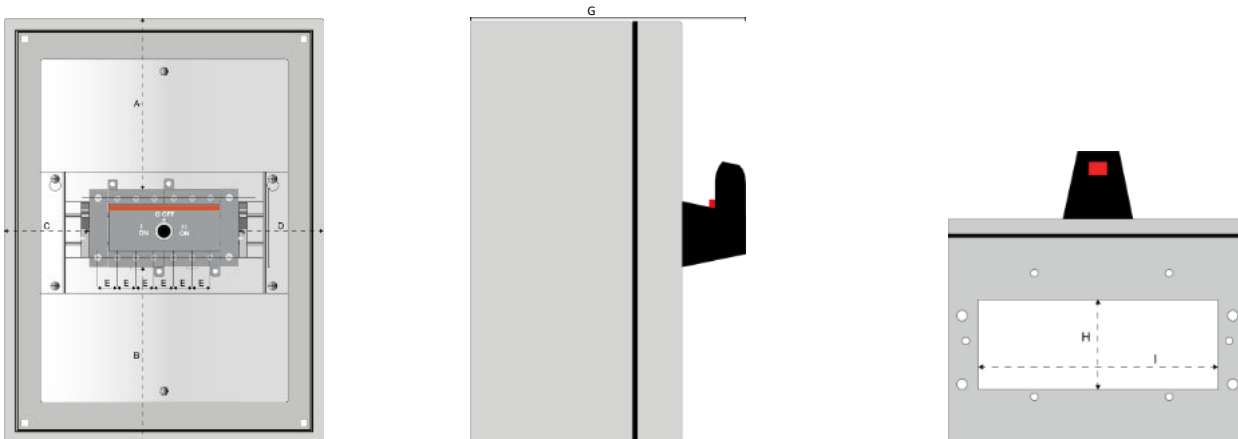
All measurements are in mm. * If using the mounting brackets, please allow for an additional 23 mm either side of the enclosure.



Wall Mounted Manual Change-over Switches 63A to 100A (RYESCOxx)

Product Code	Height	Width	Depth	A	B	C	D	E	F	G	H	I
RYESCO0634T	400	300*	200	164	164	80	80	17.5	N/A	245	110	260
RYESCO0804T	400	300*	200	164	164	80	80	17.5	N/A	245	110	260
RYESCO1004T	500	400*	200	200	200	103.5	103.5	22.5	N/A	245	110	360

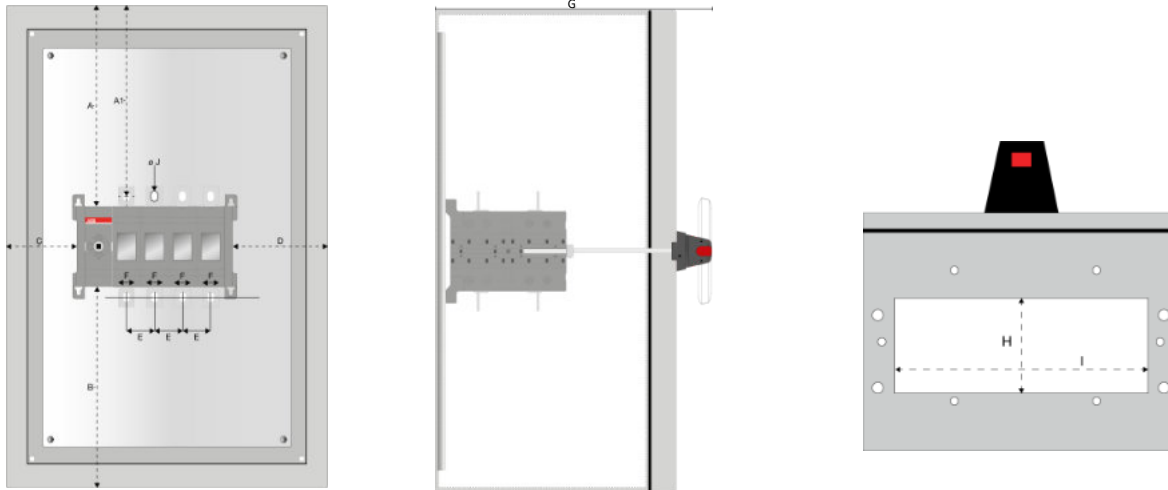
All measurements are in mm. * If using the mounting brackets, please allow for an additional 23 mm either side of the enclosure.



Wall Mounted Manual Change-over Switches 125A to 250A (RYESCOxx)

Product Code	Height	Width	Depth	A	A1	B	C	D	E	F	G	H	I	J
RYESCO1254T	600	400*	300	250	237	250	88	117	35	20	345	194	360	9
RYESCO1604T	600	400*	300	250	237	250	88	117	35	20	345	194	360	9
RYESCO2004T	600	400*	300	250	237	250	88	117	35	20	345	194	360	9
RYESCO2504T	600	400*	300	250	237	250	88	117	35	20	345	194	360	9

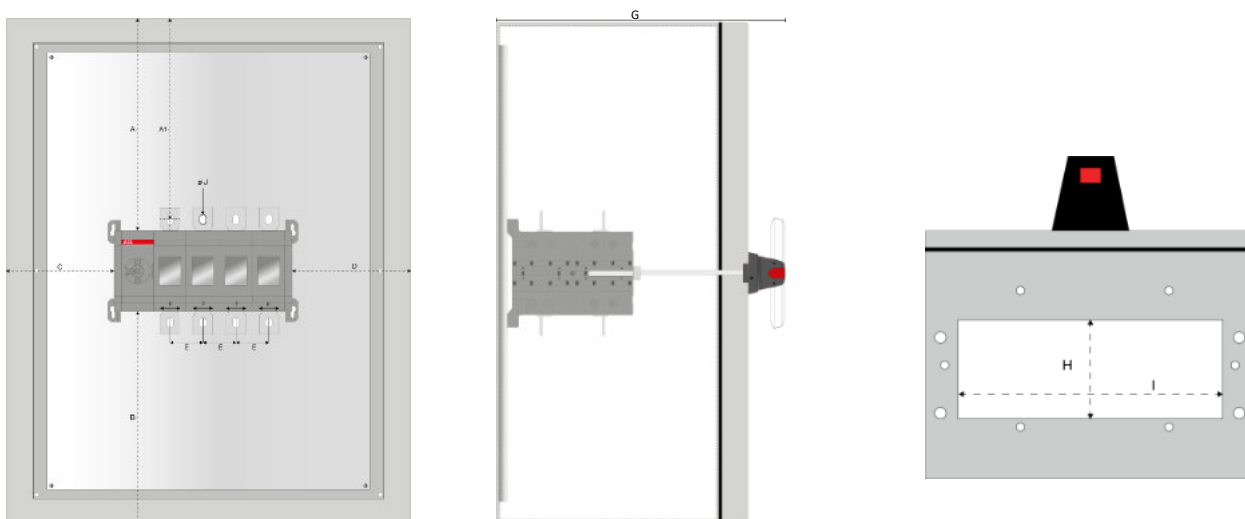
All measurements are in mm. * If using the mounting brackets, please allow for an additional 23 mm either side of the enclosure.



Wall Mounted Manual Change-over Switches 400A to 800A (RYESCOxx)

Product Code	Height	Width	Depth	A	A1	B	C	D	E	F	G	H	I	J
RYESCO4004T	700	500*	300	290	272.5	290	126	126.5	44	25	345	194	460	11
RYESCO4004XLT	1200	600*	300	540	522.5	540	176	176.5	44	25	345	194	560	11
RYESCO6304T	1000	800*	400	420	398	420	213.5	236.5	65	39	445	194	760	13.5
RYESCO6304XLT	1200	800*	400	520	498	520	213.5	236.5	65	39	445	194	760	13.5
RYESCO8004T	1000	800*	400	420	398	420	213.5	236.5	65	39	445	194	760	13.5
RYESCO8004XLT	1200	800*	400	520	498	520	213.5	236.5	65	39	445	194	760	13.5

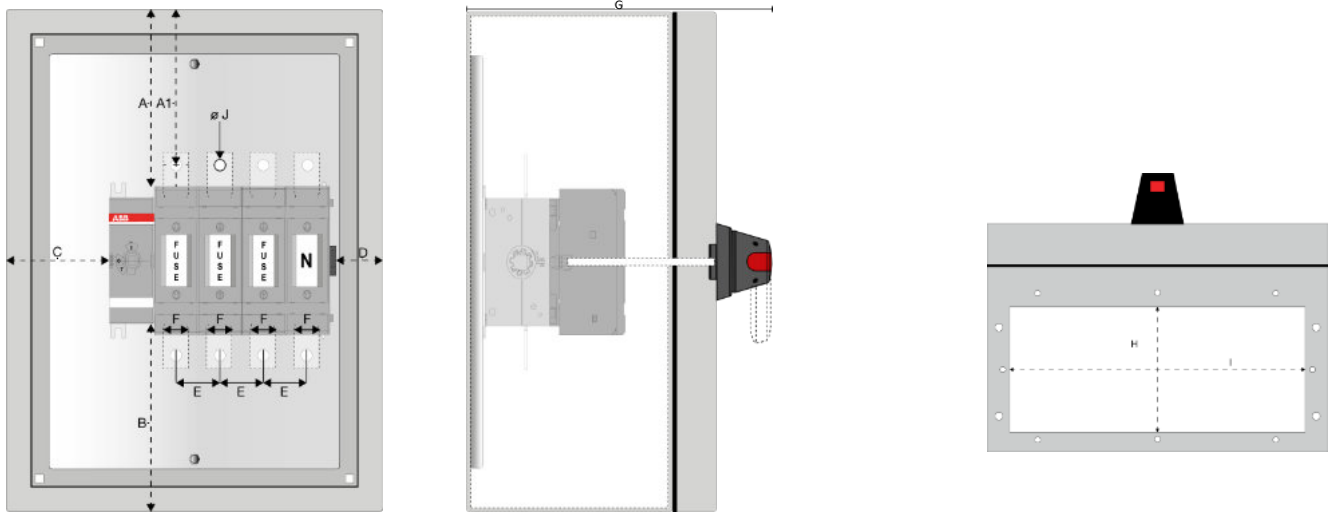
All measurements are in mm. * If using the mounting brackets, please allow for an additional 23 mm either side of the enclosure.



Wall Mounted Fuse Switches 32A to 160A (RYEFSxx)

Product Code	Height	Width	Depth	A	A1	B	C	D	E	F	G	H	I	J
RYEFS0324T**	400	300*	200	150	N/A	150	82	82.5	23.5	N/A	245	110	260	N/A
RYEFS0634T**	400	300*	200	150	N/A	150	82	82.5	23.5	N/A	245	110	260	N/A
RYEFS1004T	400	300*	200	141	122.25	141	82	36.5	35	20	245	110	260	9
RYEFS1254T	400	300*	200	141	122.25	141	82	36.5	35	20	245	110	260	9
RYEFS1604T	500	400*	200	191	175	191	82	136.5	35	20	245	110	360	9

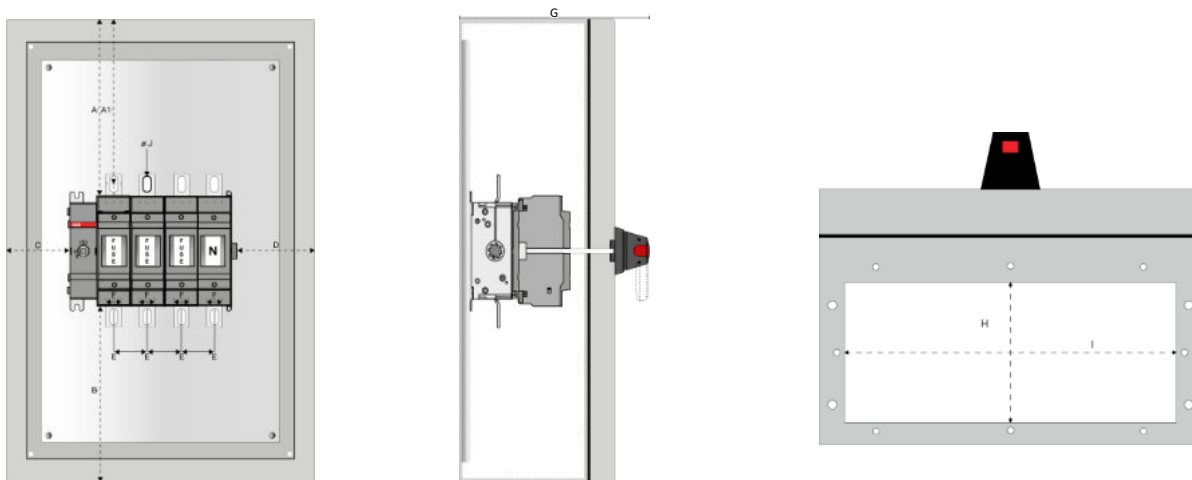
All measurements are in mm. * If using the mounting brackets, please allow for an additional 23 mm either side of the enclosure. ** Please Note: The product RYEFS0324T & RYEFS0634T uses screw terminals and while dimensions are correct the product will differ visually from the drawings below.



Wall Mounted Fuse Switches 200A to 400A (RYEFSxx)

Product Code	Height	Width	Depth	A	A1	B	C	D	E	F	G	H	I	J
RYEFS2004T	600	400*	200	227.75	213.45	227.75	82	98	43.5	20	245	110	360	10
RYEFS2504T	600	400*	200	225.75	217	225.75	82	56.5	54	25	245	110	360	12.5
RYEFS3154T	700	500*	300	253	238	253	95	86	64	25	345	194	460	12.5
RYEFS4004T	700	500*	430	253	238	253	95	86	64	25	345	194	460	12.5

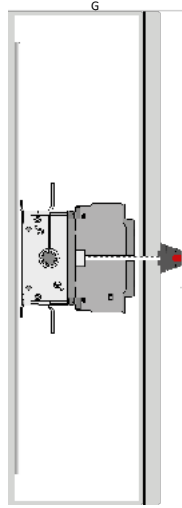
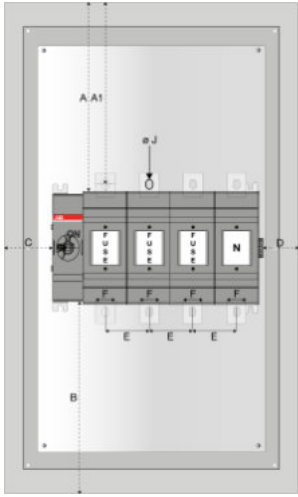
All measurements are in mm. * If using the mounting brackets, please allow for an additional 23 mm either side of the enclosure.



Wall Mounted Fuse Switches 630A to 800A (RYEFSxx)

Product Code	Height	Width	Depth	A	A1	B	C	D	E	F	G	H	I	J
RYEFS6304T	1000	600*	300	397	370	397	98	71	88	39	345	194	560	13.5
RYEFS8004T	1000	600*	300	397	370	397	98	71	88	39	345	194	560	13.5

All measurements are in mm. * If using the mounting brackets, please allow for an additional 23 mm either side of the enclosure.



Cable Boxes for Ryefield Fuse Gear

RYEBIS, RYEIS, RYESCO and RYEFS



Specification

- Powder Coated Epoxy Resin Finish RAL 7035
- Designed in the UK to BS EN 61439-3
- Manufactured to BS EN 61439
- Degree of protection IP65 to BS EN 60529 internal use only
- Mechanical Impact Protection IK10
- Suitable for all Ryefield wall mounted fuse gear

Cable Boxes

Product Code	Height mm	Width mm	Depth mm
RYECAB152015	150	200	150
RYECAB253020	250	300	200
RYECAB254020	250	400	200
RYECAB254030	250	400	300
RYECAB255030	250	500	300
RYECAB256030	250	600	300
RYECAB258030	250	800	300
RYECAB258040	250	800	400



Notes

Notes



RYEFIELD ELECTRIC



Head Office:

Delamare Road
Cheshunt
Hertfordshire
EN8 9TA

01992 624442
sales@ryefieldeng.co.uk

London Depot:

Unit 8, Canterbury Industrial Park
297 Ilderton Road
London
SE15 1NP

0207 277 5750
london.sales@ryefieldeng.co.uk

